

saxby
lighting



Shield

DLF805C - Chrome finish
DLF805SS - Satin Silver finish
DLF805W - White finish

Thank you for purchasing this light fitting.
Please read the instructions carefully before use to ensure safe and satisfactory operation of this product.
Please retain these instructions for future reference.

Warning



This unit is Safety Extra Low Voltage and must not be earthed.



This product is NOT suitable for direct mounting on normally flammable surfaces (suitable only for mounting on non-combustible surfaces).

Please read these instructions carefully before commencing any work.

This unit must be fitted by a competent and qualified electrician.

Install in accordance with IEE Wiring regulations and current Building Regulations.

To prevent electrocution switch off at mains supply before installing or maintaining this fitting. Ensure other persons cannot restore the electrical supply without your knowledge.

This system operates at Safety Extra Low Voltage (12V), via a transformer. Never connect the light fittings directly to the mains without using a transformer.

Always unplug the transformer from the mains when installing or maintaining this system.

This light fitting should be connected to a fused circuit.

If replacing an existing fitting, make a careful note of the connections.

Always use the correct type and wattage bulb. Never exceed the wattage stated.

When changing a bulb, always switch off at the mains and allow the old bulb to cool down before handling.

Dispose of used bulbs carefully and responsibly.

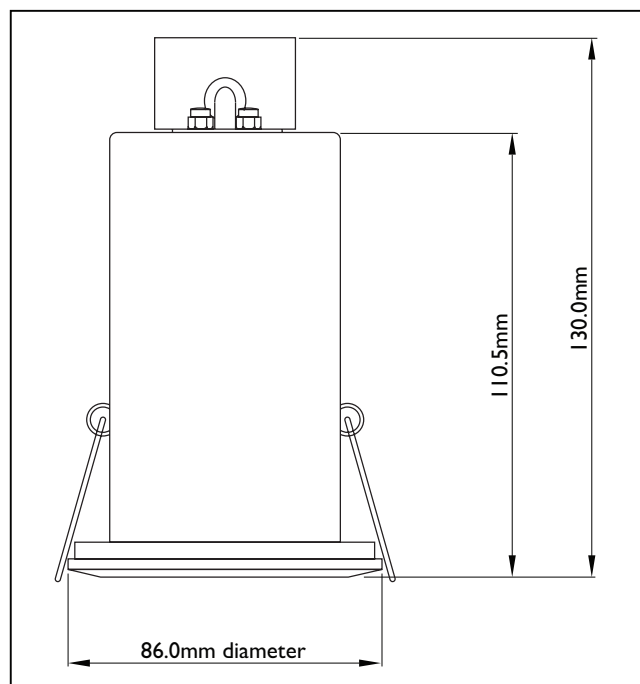
This product can be dimmed using a compatible dimmer and transformer.

Waste electrical products should not be disposed of with household waste. Please recycle where facilities exist.

Check with your local authority or retailer for recycling advice.

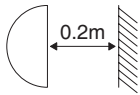
Specification

Voltage:	12V SELV
Lamp:	All Models - 1 x 50W Max. MR16 Halogen
IP rating:	65



Layout

- Plan the desired layout of this fitting carefully, ensuring the cables will reach the distance between the junction box and the light fitting.
- Avoid locating any cables in positions that would cause a hazard. Position cables and outdoor rated junction boxes (not supplied) away from areas where they may be at risk from being cut, trapped or damaged.
- The mains supply cable must have a minimum cross sectional area of 1.0mm²
- Cables in walls must be protected using suitable conduit or plastic trunking.

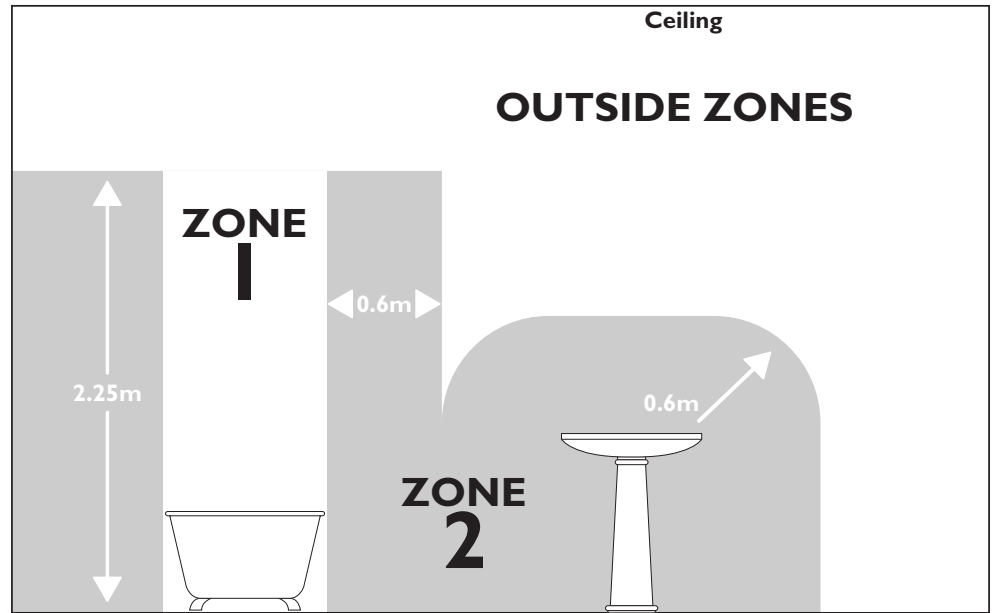


SPOTLIGHTS GIVE A CONCENTRATED BEAM OF LIGHT AND MUST NOT BE POSITIONED ANY CLOSER THAN 0.2M (20CM) TO THE ILLUMINATED SURFACE.

This product has special protection against the ingress of moisture, and is rated as IP65.

This product is suitable for use in Zones 1, 2, and outside zones of a bathroom. See diagram.

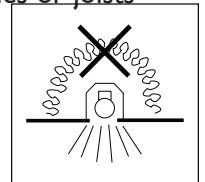
The mains supply must be fitted to a 30mA RCD.



Installation

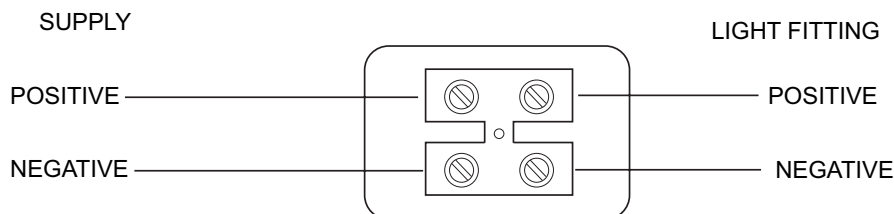
Existing fittings must be completely removed before installation of a new product. Before removing the existing fitting, **carefully note the position of each set of wires.**

1. Position the transformer next to the mains outlet that the system will connect to. Do not connect at this stage.
2. After deciding the layout of the light fittings ensure that the cables are long enough to connect to the desired positions.
3. If more than one downlight is to be installed, the distance between units must be no less than 0.5m (50cm).
4. Ensure a minimum ceiling void depth of 200mm is available.
5. Cut a 73mm diameter mounting hole in the ceiling taking care not to foul any pipes, mains cables or joists beneath the surface.
6. It is always recommended to cut the hole slightly smaller than the size specified, and then file the hole until the recessed unit fits snugly.
7. Ensure free movement of air around the fitting by removing any roof void insulation from at least 150mm around the hole. Under no circumstances must these fittings be covered with insulating matting or similar material.



Wiring

8. Remove the cover from the connector block on top of the unit. Connect the output cable of the transformer to the terminals indicated below.



9. Connect the mains supply wiring to the transformer as detailed in the transformer instructions, ensuring that you have correctly identified the wires.

Check That

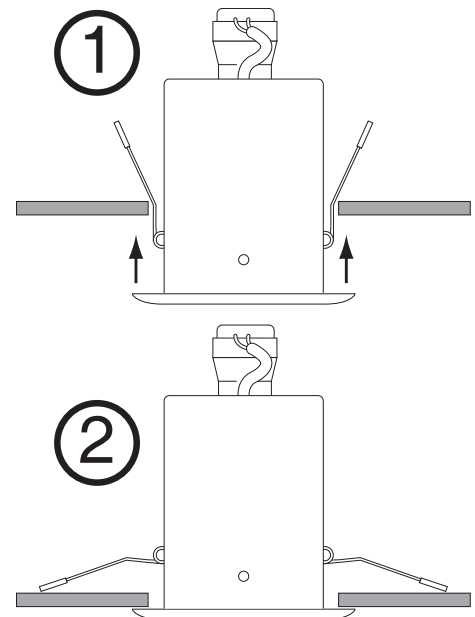
You have correctly identified the wires.

The connections are tight.

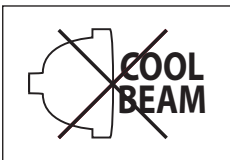
No loose strands have been left out of the connection block.

Commissioning

10. The ceiling surface must be flat and smooth to ensure a good fit.
11. Push the spring clips upwards and fit the two longer arms into the ceiling hole. See diagram 1.
12. Push the unit up until firmly in position, ensuring that the cable is not trapped. See diagram 2.
13. Adjust the cable so it does not get snagged.
14. Replace fuse or circuit breaker and switch on. Your light is now ready for use.
15. The fitting comes with a protective plastic cover over the front of the bezel. This can be left on to protect the product whilst decorating, **but must be removed** prior to use.

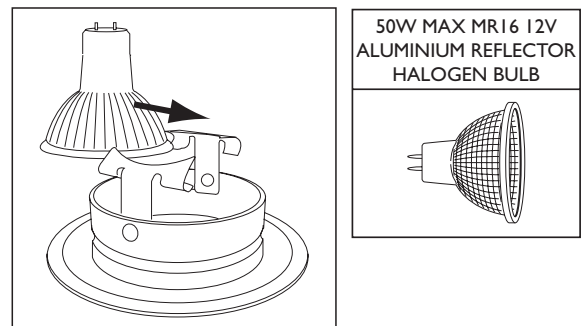


Fitting / Replacing Bulbs



Do not use 'cool beam' dichroic reflector halogen lamps in this downlighter. This product is only suitable for use with aluminium reflector lamps.

When changing a bulb, always switch off at the mains and allow the bulb to cool before handling. Dispose of used bulbs carefully. Use a soft cloth to handle bulbs, avoid directly touching the bulbs as this will shorten their life. Do not exceed the wattage stated or use a different shape bulb from that indicated on the fitting. Rotate the front bezel off, and drop down, Lift the bulb and slide out of the clip. To replace the bulb, slide into the clip, ensuring it is sitting properly on the recess.



Care and Cleaning

We recommend cleaning with a soft dry cloth.

Do not use solvents or abrasive cleaners as these could damage the finish.

Glass parts - Wash with warm water or just use a damp cloth. Do not use abrasive materials as these will damage the finish.

Recycling Advice



Waste electrical products should not be disposed of with household waste. Please recycle where facilities exist. Check with your Local Authority or retailer for recycling advice.

Safety Information

For your safety, always switch off the supply before changing lightbulbs, or cleaning.



Saxby Lighting Ltd. BH23 3PE