

Thank you for purchasing this light fitting. Please read the instructions carefully before use to ensure safe and satisfactory operation of this product. Please retain these instructions for future reference.

Warning:

This is a Class I product and must be earthed.

Please read these instructions carefully before commencing any work.

Install in accordance with IEE Wiring regulations and current Building Regulations.

To prevent electrocution switch off at mains supply before installing or maintaining this fitting. Ensure other persons cannot restore the electrical supply without your knowledge. If you are in any doubt, please consult a qualified electrician.

This light fitting should be connected to a 5 amp fused circuit.

If replacing an existing fitting, make a careful note of the connections.

Always use the correct type and wattage bulb. Never exceed the wattage stated.

When changing a bulb, always switch off at the mains and allow the old bulb to cool down before handling.

Dispose of used bulbs carefully and responsibly.

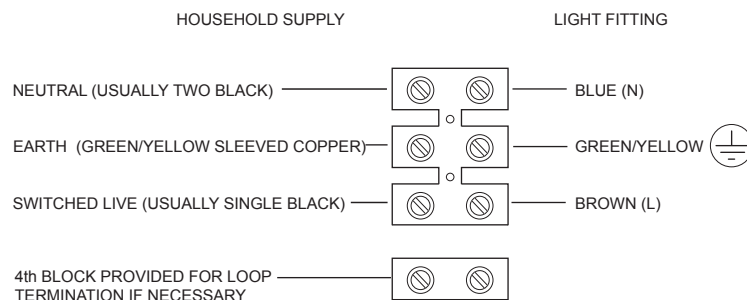
Installation:

Existing fittings must be completely removed before installation of a new product. Before removing the existing fitting or ceiling rose, **carefully note the position of each set of wires.** Where a ring/loop circuit exists there will be a fourth set of wires (usually red) that are not connected to the L, N, or E. of the fitting. This circuit must be kept together in the 4th terminal of the connection block, and insulated from the fitting and the other wires. **The ring/loop will remain live unless isolated at the mains or circuit breaker regardless of the position of the wall switch.**

Fix the bracket and lampholder assembly to the wall using suitable screws and wall fixings. Ensure that the fitting is level by adjusting the position using the slots, and is mounted the correct way up.

Wiring:

Having correctly identified the wiring from your existing light fitting, pull the wire through the hole at the rear of the fixture. **Fit the supplied heatproof sleeving over the house wiring prior to connecting the wires to the terminal block.** Connect to the terminal block inside the product in the following way:



Check that.....

You have correctly identified the wires.

The connections are tight.

No loose strands have been left out of the connection block.

Fitting Glass Shades:

To fit the top and bottom glass shades, ensure that the knurled screws are loosened sufficiently to fit the glass into the slots. Slide the glass into position, ensuring that it is correctly located. Tighten the screws to finger tightness only to secure glass. Do not over tighten as this can crack the glass.

Fitting / Replacing Bulbs:

When changing a bulb, always switch off at the mains and allow the bulb to cool before handling. Remove the front bracket and large glass shade to gain access to the bulb.

Pull bulb gently to remove from lampholder. To refit, locate in the lampholder and push home. Do not hold the glass when fitting or removing the bulb. Do not exceed the wattage stated for this fitting.

Fit the front bracket and large glass shade over the allen bolts and secure using the supplied tool.

Replace fuse or circuit breaker and switch on. Your light is now ready for use.

Care and Cleaning:

Finish - We recommend cleaning with a soft dry cloth. Do not use abrasive materials as these will damage the finish.

Glass - Remove and wash in warm soapy water, or just use a damp cloth. Do not use abrasive materials as these will damage the finish.

Safety Information:

For your safety, always switch off the supply before changing lightbulbs, cleaning or removing shades.



Saxby Lighting Ltd. Belvue House, Belvue Road, Northolt, Middlesex UB5 5QQ