

saxby
lighting



Aretz LED Recessed

7005LED

Thank you for purchasing this light fitting.
Please read the instructions carefully before use to ensure safe and satisfactory operation of this product.
Please retain these instructions for future reference.

Warning

This is a Class I product and must be earthed.

Please read these instructions carefully before commencing any work.

This system operates at Mains Voltage (240V), and must be installed by a qualified electrician and in accordance with IEE Wiring Regulations and current Building Regulations.

An appropriate outdoor mains cable must be used to power this product.

To prevent electrocution switch off at mains supply before installing or maintaining this fitting. Ensure other persons cannot restore the electrical supply without your knowledge. If you are in any doubt, please consult a qualified electrician.

This light fitting should be connected to a circuit with a 30mA RCD fitted.

If replacing an existing fitting, make a careful note of the connections.

This system contains non-replaceable parts and cannot be serviced. If damage occurs the part should be scrapped.

Dispose of used bulbs carefully and responsibly.

This luminaire is designed for outdoor installation and is rated at IP67.

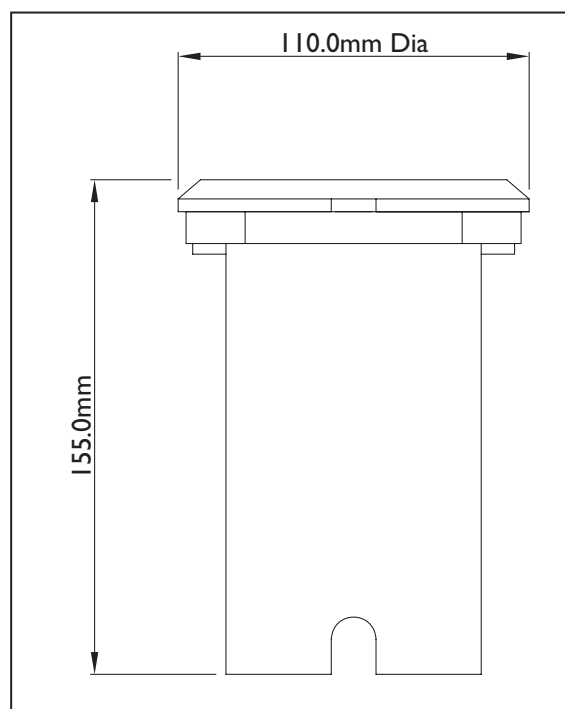
This will require an appropriate outdoor rated junction box (not supplied).

This product is not suitable for location in or near a marine environment.

This product is unsuitable for immersion in water or very wet areas.

Specification

Voltage:	240V 50Hz a.c.
Lamp:	15 LED's with four colour films
IP rating:	67



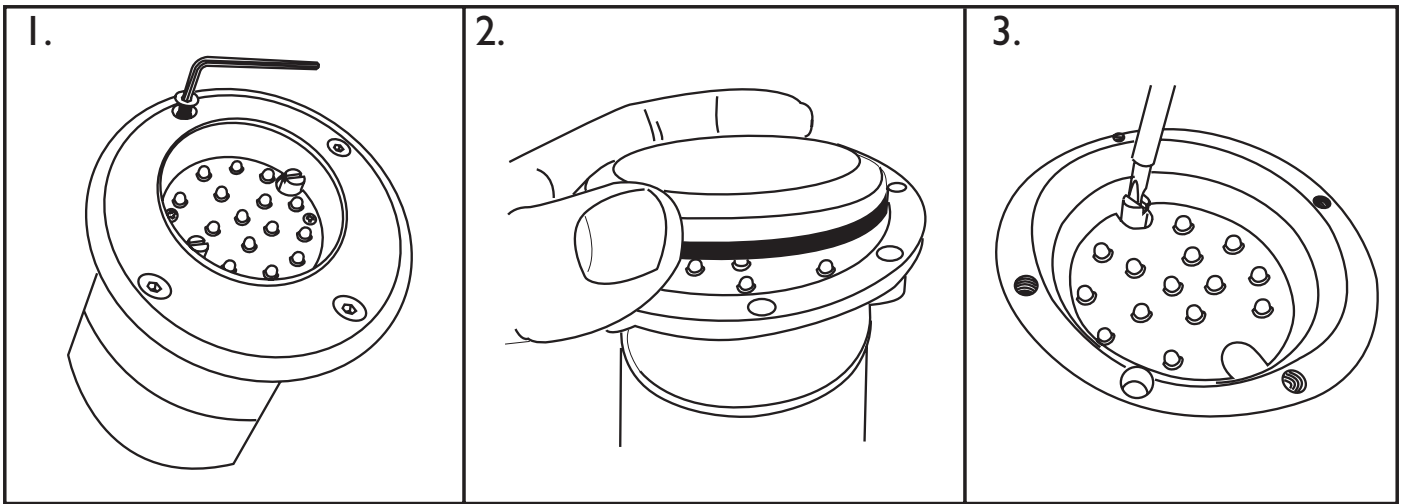
Layout

- Plan the desired layout of this fitting carefully, ensuring the cables will reach the distance between the junction box and the light fitting.
- Avoid locating any cables in positions that would cause a hazard. Position cables and outdoor rated junction boxes (not supplied) away from areas where they may be at risk from being cut, trapped or damaged.
- We recommend that you use H05RN-F specification cable (not supplied) which is an outdoor grade, rubber sheathed cable. The mains supply cable must have a minimum cross sectional area of 1.0mm²
- Cables must be protected using suitable conduit or plastic trunking.

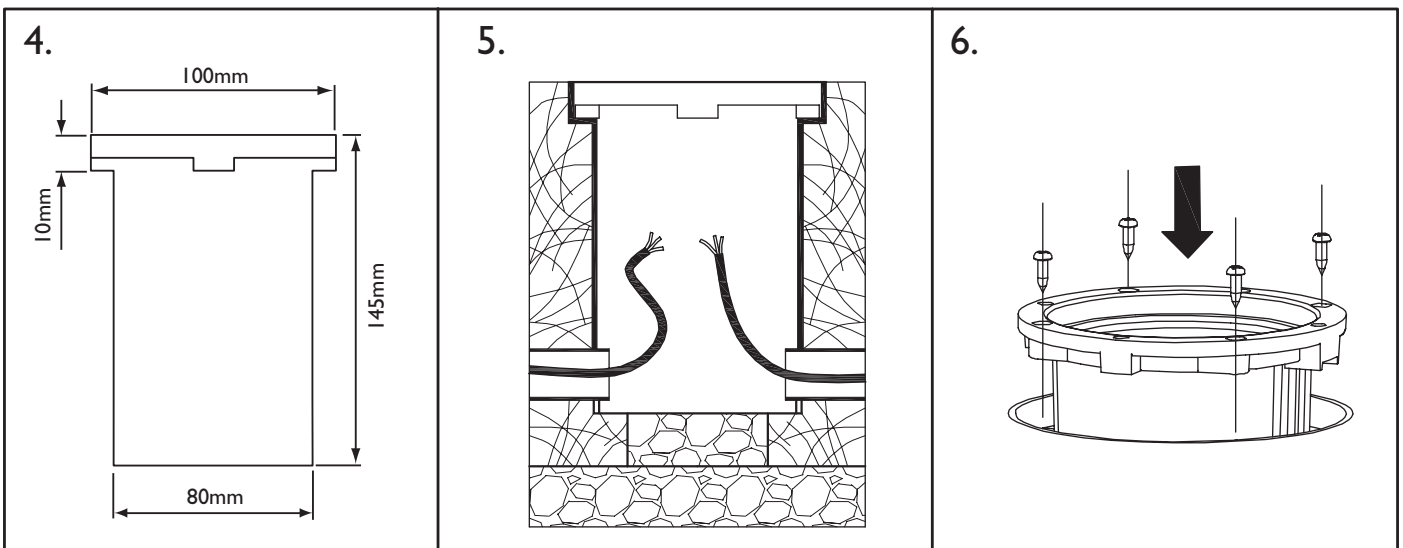
Installation

Existing fittings must be completely removed before installation of a new product. Before removing the existing fitting, **carefully note the position of each set of wires.**

1. Remove the four screws holding the rim in place. See Fig 1.
2. Remove the rim and glass, and set aside. See Fig 2.
3. Undo the two long screws holding the LED PCB in place, and set aside. See Fig 3.

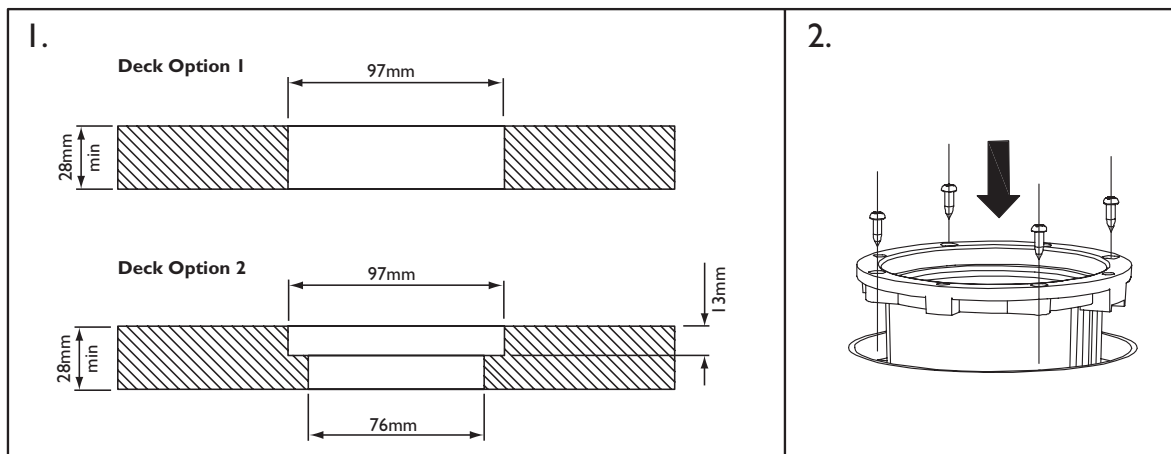


4. The product must be mounted in the supplied housing. It should not be directly installed in the soil.
5. Form a recess to fit the housing into. The dimensions of the housing are below in Fig. 4. Ensure that there is adequate drainage below the product.
6. Position the conduit or plastic trunking at the groove in the side of the housing and pull the cable through as shown in Fig. 5. Ensure that the cables are not snagged.



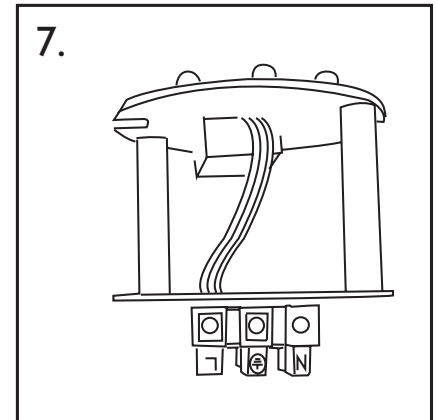
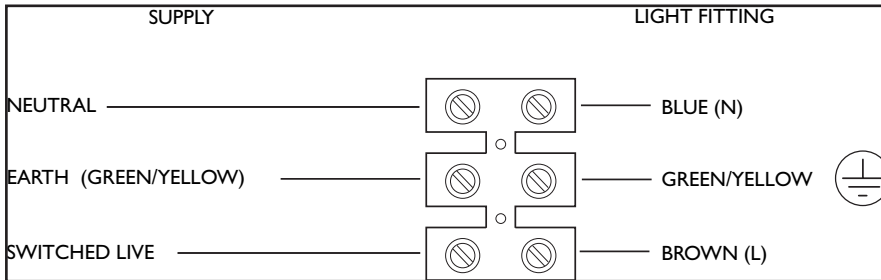
Decking Fitting

7. Two options can be used to fit this product to a deck.
 - Option 1 - Drill a 97mm diameter hole. The product will sit in loose in position resting on the stainless steel bezel, but will not be secured. Ensure that there is enough slack cable to allow the product to be lifted out when changing the bulb. The fitting can be lightly held in position using silicone sealant.
 - Option 2 - Drill a 76mm diameter hole. Machine a 97mm diameter by 13mm deep counterbore. The product will can then be secured.
8. Ensure that conduit or plastic trunking is used to house the cables. Ensure that the cables are not snagged.
9. If using option 2, screw the product in place through the four holes in the housing into the surface



Wiring

- Undo the gland at the bottom of the unit and pull the wire through as shown. Ensure that the wire is fitted correctly in the centre of the gland. Re-assemble the gland, but do not tighten yet.
- Connect the supply wires to the product terminal block as shown. Ensure that you have correctly identified the wires, that the connections are tight and no loose strands have been left out of the connection block.
- Push the PCB carefully back into the fitting and refit the long screws.
- Ensure that the wiring is pulled through the gland and then tightened properly. The gasket should form a bead.
- A spare gland is provided for looping through. There is a knock-out at the base of the unit that can be removed if this is required.



Commissioning

- Locate the casing in the correct position in the housing.
- Refit the glass in position, ensuring that the seals are correctly located. Refit the rim.
- Replace fuse or circuit breaker and switch on. Your light is now ready for use.
- A set of colour filters are included to enable you to alter the colour output of the fitting. Simply place these over the LED's before refitting the glass and rim.

Fitting / Replacing Bulbs

Finish - We recommend cleaning with a soft dry cloth. Do not use abrasive materials as these will damage the finish. This system contains non-replaceable parts and cannot be serviced. If damage occurs the part should be scrapped.

Care and Cleaning

We recommend cleaning with a soft dry cloth.

Do not use solvents or abrasive cleaners as these could damage the finish.

Glass parts - Remove and wash in warm water or just use a damp cloth. Do not use abrasive materials as these will damage the finish.

To prolong the life and keep your outdoor lighting in good condition, it is recommended that periodically it is cleaned using a soft cloth followed by the application of a light coating of oil, such as WD40.

Recycling Advice

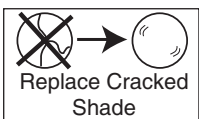


Waste electrical products should not be disposed of with household waste. Please recycle where facilities exist. Check with your Local Authority or retailer for recycling advice.

Safety Information

For your safety, always switch off the supply before maintaining this product.

This system contains non-replaceable parts and cannot be serviced. If damage occurs the part should be scrapped.



The shade must be replaced immediately should the shade become cracked or damaged. This fitting must not be used without the shade in place.



Saxby Lighting Ltd. BH23 3PE