

Thank you for purchasing this light fitting. Please read the instructions carefully before use to ensure safe and satisfactory operation of this product. Please retain these instructions for future reference.

Warning:

III This unit is Safety Extra Low Voltage and must not be earthed.

Please read these instructions carefully before commencing any work.

This unit must be fitted by a competent and qualified electrician.

Install in accordance with IEE Wiring regulations and current Building Regulations.

This system operates at Safety Extra Low Voltage (12V), via a transformer. Never connect the light fittings directly to the mains without using a transformer.

Always unplug the transformer from the mains when installing or maintaining this system.

Only use the correct type and wattage bulb.

When changing a bulb, always switch off at the mains and allow the old bulb to cool down before handling.

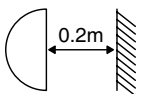
Dispose of used bulbs carefully and responsibly.

This product can be dimmed using a compatible dimmer and transformer.

Waste electrical products should not be disposed of with household waste. Please recycle where facilities exist.

Check with your local authority or retailer for recycling advice.

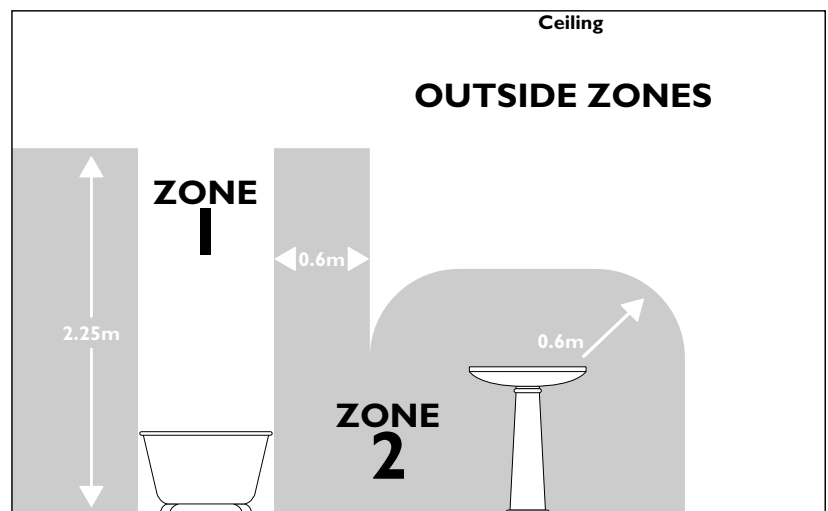
Siting:



SPOTLIGHTS GIVE A CONCENTRATED BEAM OF LIGHT AND MUST NOT BE POSITIONED ANY CLOSER THAN 0.2M (20CM) TO THE ILLUMINATED SURFACE.

Location:

These fittings have no special protection against the ingress of moisture and if they are to be used in a bathroom they are suitable for outside zones only (ceiling use only). The supply transformer must be located in outside zones.



Installation:

1. Position the transformer next to the mains outlet that the system will connect to. Do not connect at this stage.
2. After deciding the layout of the light fittings, ensure that the cables are long enough to connect to the desired positions.

Fixing Sizes:

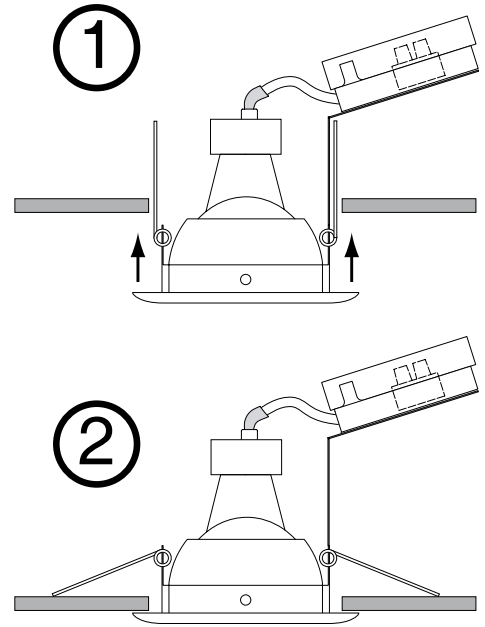
16523	:	Single Head Downlight	:	75mm x 75mm cutout	:	150mm ceiling void
16524	:	Dual Head Downlight	:	75mm x 158mm cutout	:	150mm ceiling void
16525	:	Triple Head Downlight	:	75mm x 240mm cutout	:	150mm ceiling void
16526	:	Quad Head Downlight	:	158mm x 158mm cutout	:	150mm ceiling void

3. Point the spring clips upwards and fit the two arms into the ceiling hole.
4. Push the unit upward until firmly in position, ensuring that the cable is not trapped.
5. Connect the wires from the luminaire into the transformer, ensuring correct polarity is observed.

Fitting:

Ensure free movement of air around the fitting by removing any roof void insulation from at least 100mm around the hole. Under no circumstances must these fittings be covered with insulating matting or similar material.

6. The ceiling surface must be flat and smooth to ensure a good fit.
7. Push the spring clips upwards and fit the two longer arms into the ceiling hole. See diagram 1.
8. Push the unit up until firmly in position, ensuring that the cable is not trapped. See diagram 2.
9. Adjust the tilt before switching on.
10. Connect the transformer to the mains supply. Replace fuse and switch on.

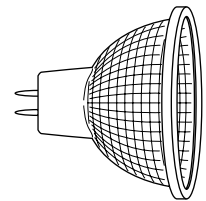


Fitting / Replacing Bulbs:

When changing a bulb, always switch off at the mains and allow the bulb to cool before handling. Dispose of used bulbs carefully. Do not exceed the wattage stated or use a different shape bulb from that indicated on the fitting.

1. Switch off and allow bulb to cool before replacing.
2. Remove decorative bezel by inserting a small screwdriver in the gap between the bezel and the main body and twist to release bezel.
3. Remove the old bulb by holding the lampholder and gently pulling. Replace with bulb type 50W Max MR16 only.
4. Push the bulb into the lampholder and secure by pushing the decorative bezel home.

12V 50W MAX MR16
HALOGEN BULB



Care and Cleaning:

Finish - We recommend cleaning with a soft dry cloth. Do not use abrasive materials as these will damage the finish.

Safety Information:

For your safety, always switch off the supply before changing lightbulbs or cleaning.



Saxby Lighting Ltd. NW10 7UL