

saxby
lighting



Lopo Bathroom Spot

13813 - 3lt Spot

13814 - 5lt Spot

Thank you for purchasing this light fitting.
Please read the instructions carefully before use to ensure safe and satisfactory operation of this product.
Please retain these instructions for future reference.

Warning

This is a Class I product and must be earthed.

Please read these instructions carefully before commencing any work.

This unit must be fitted by a competent and qualified electrician.

Install in accordance with IEE Wiring regulations and current Building Regulations.

To prevent electrocution switch off at mains supply before installing or maintaining this fitting. Ensure other persons cannot restore the electrical supply without your knowledge.

This light fitting should be connected to a fused circuit.

If replacing an existing fitting, make a careful note of the connections.

Always use the correct type and wattage bulb. Exceeding the bulb wattage will damage the product.

When changing a bulb, always switch off at the mains and allow the old bulb to cool down before handling.

Dispose of used bulbs carefully and responsibly.

This product is suitable for dimming when used in conjunction with a dimmable lamp. Please ensure verification of dimming abilities with the lamp manufacture prior to use.

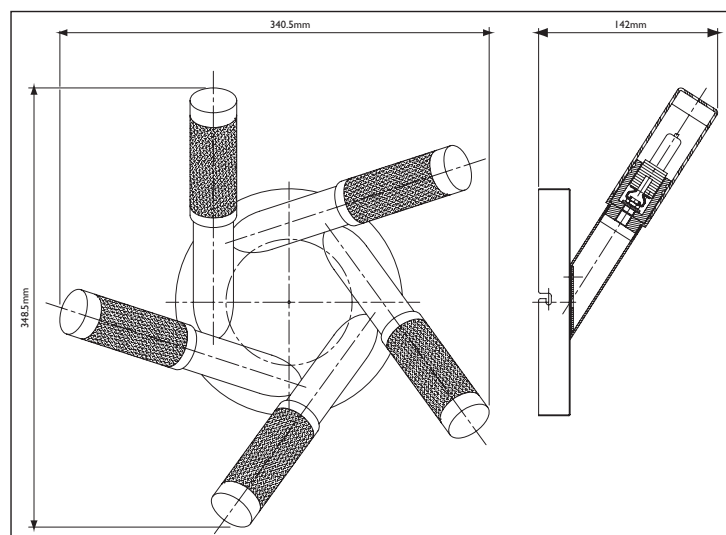
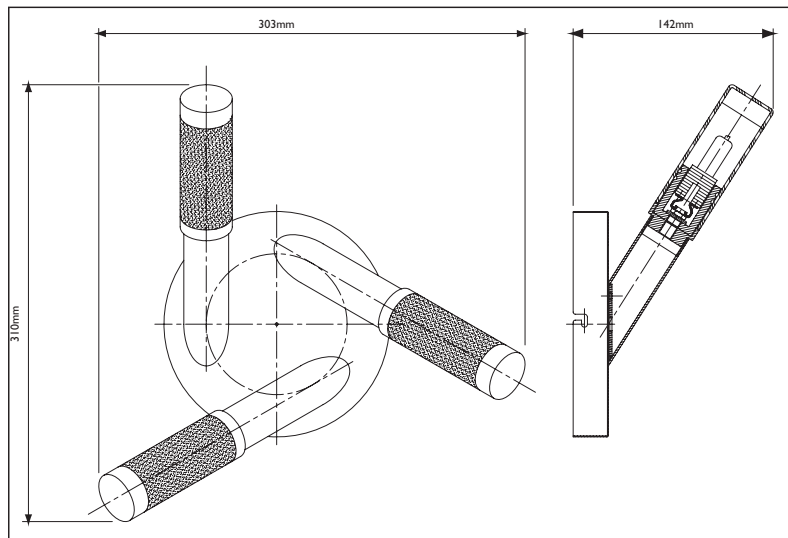
This product is rated at IP44.

Waste electrical products should not be disposed of with household waste. Please recycle where facilities exist.

Check with your local authority or retailer for recycling advice.

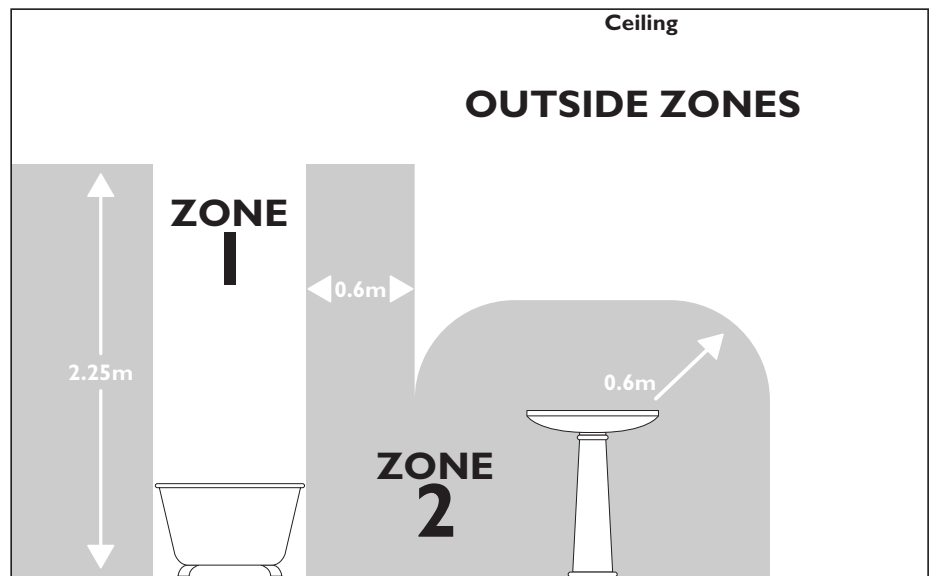
Specification

Voltage:	240V 50Hz a.c.
Lamp:	25W G9 Halogen
IP rating:	44



Layout

This product has special protection against the ingress of moisture and is IP44 rated. This product is suitable for use in Zone 2 and outside Zones of a bathroom. See diagram.



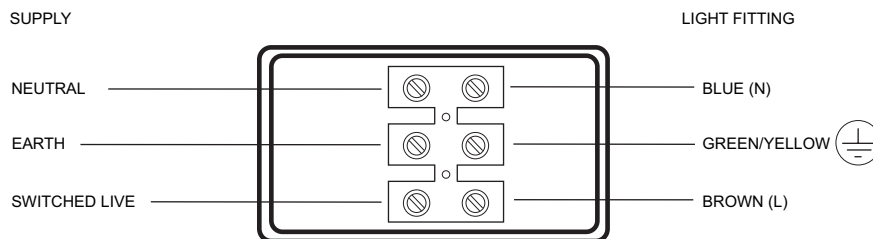
Installation

Existing fittings must be completely removed before installation of a new product. Before removing the existing fitting, **carefully note the position of each set of wires.**

1. Undo the screws holding the fixing bracket in place and set aside.
2. Hold the product in place and mark the position of the holes. Ensure that the product is level.
3. Ensure the ceiling is capable of holding the weight of the product. Take care to avoid damaging any concealed wiring and pipes. The correct fixings should be used for brick, cavity walls or plasterboard. Ensure there is a joist at the point of fixing to support the weight of the product.
4. Fix the bracket into position.

Wiring

Having correctly identified the wiring from your existing light fitting, remove the top of the IP terminal block and connect to the terminal block inside the product in the following way:



Check That

Check that.....

- You have correctly identified the wires.
- The connections are tight.
- No loose strands have been left out of the connection block.

Commissioning

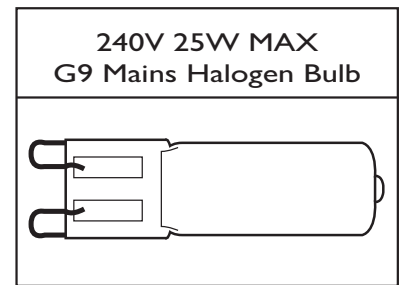
5. This product has "L"-shaped fixing slots to allow easy fixing to the ceiling strap. Locate the "L" slots around the small screws on the fixing strap. Rotate the ceiling cover to attach the product to the strap.
6. Tighten the screws to secure. Take care not to trap any wiring.
7. Replace fuse or circuit breaker and switch on. Your light is now ready for use.

Fitting / Replacing Bulbs

When changing a bulb, always switch off at the mains and allow the bulb to cool before handling. Dispose of used bulbs carefully. Do not exceed the wattage stated or use a different shape bulb from that indicated on the fitting.

Use a soft cloth to handle bulbs, avoid directly touching the bulbs as this will shorten their life.

Twist the glass shades off the access the bulb. Pull the bulb out to remove. Push the new bulb in. replace the glass gently pushing and twisting on.



Care and Cleaning

We recommend cleaning with a soft dry cloth.

Do not use solvents or abrasive cleaners as these could damage the finish.

Glass parts - Remove and wash in warm water or just use a damp cloth. Do not use abrasive materials as these will damage the finish.

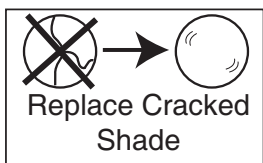
Recycling Advice



Waste electrical products should not be disposed of with household waste. Please recycle where facilities exist. Check with your Local Authority or retailer for recycling advice.

Safety Information

For your safety, always switch off the supply before changing lightbulbs, or cleaning.



This bulb is protected by a glass shade. This part must be replaced immediately should the glass shade become cracked or damaged. This fitting must not be used without the glass shade in place.



Saxby Lighting Ltd. BH23 3PE