

saxby  
lighting



## **Soar**

13756 - 2 x 28W T5

13757 - 2 x 35W T5

Thank you for purchasing this light fitting.  
Please read the instructions carefully before use to ensure safe and satisfactory operation of this product.  
Please retain these instructions for future reference.

## Warning

### **This is a Class I product and must be earthed.**

Please read these instructions carefully before commencing any work.

This unit must be fitted by a competent and qualified electrician.

Install in accordance with IEE Wiring regulations and current Building Regulations.

To prevent electrocution switch off at mains supply before installing or maintaining this fitting. Ensure other persons cannot restore the electrical supply without your knowledge.

This light fitting should be connected to a fused circuit.

If replacing an existing fitting, make a careful note of the connections.

Always use the correct type and wattage bulb. Using the incorrect wattage bulb will damage the bulb and ballast.

When changing a bulb, always switch off at the mains and allow the old bulb to cool down before handling.

Dispose of used bulbs carefully and responsibly.

This product is not suitable for dimming.

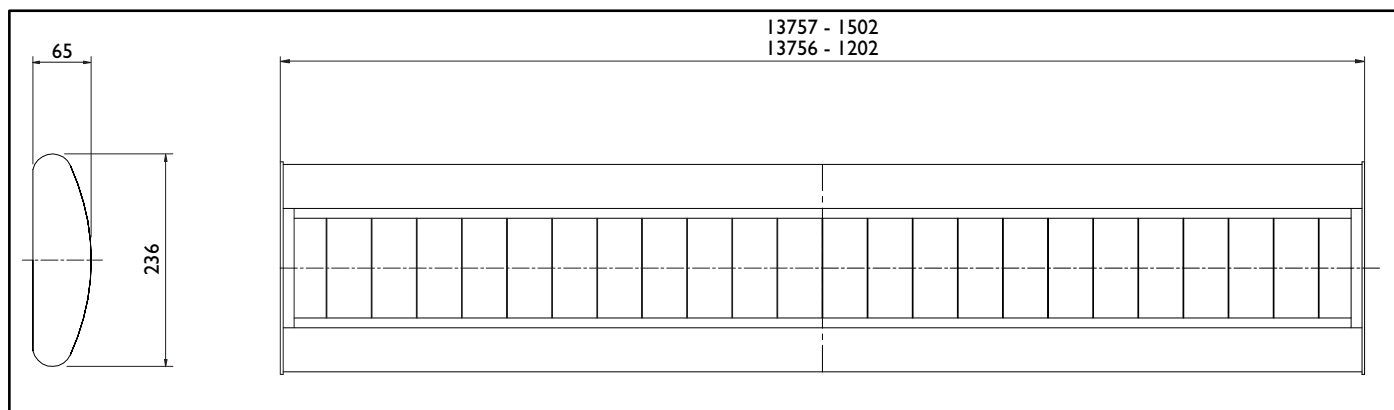
Waste electrical products should not be disposed of with household waste. Please recycle where facilities exist.

Check with your local authority or retailer for recycling advice.

These products should not be fitted to PIR circuits or short duration timed switches. Should you wish to connect this unit to a timed system please consult the manufacturer before installation.

## Specification

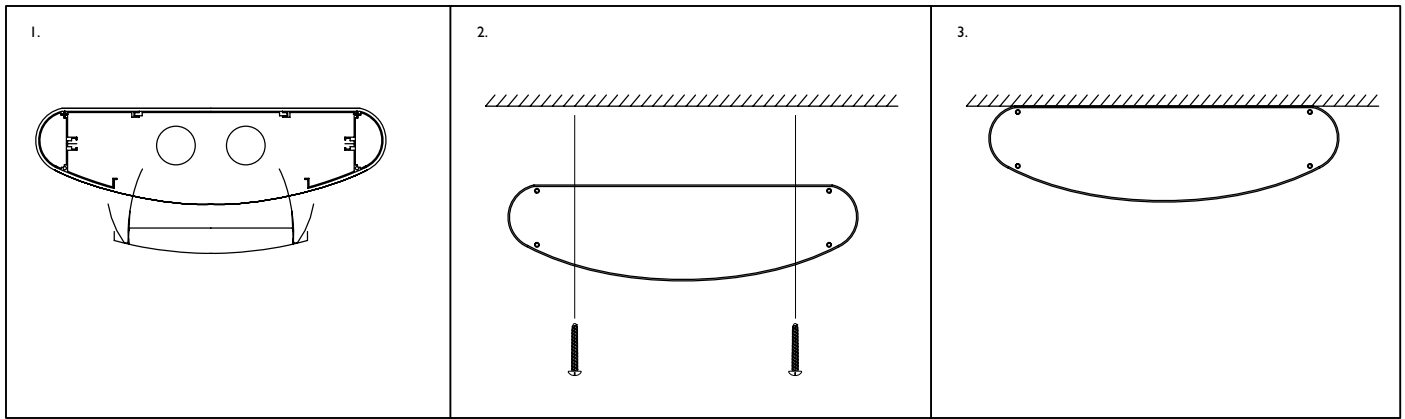
Voltage:	240V 50Hz a.c.
Lamp:	13756 - 2 x 28W T5 13757 - 2 x 35W T5
IP rating:	20



## Installation

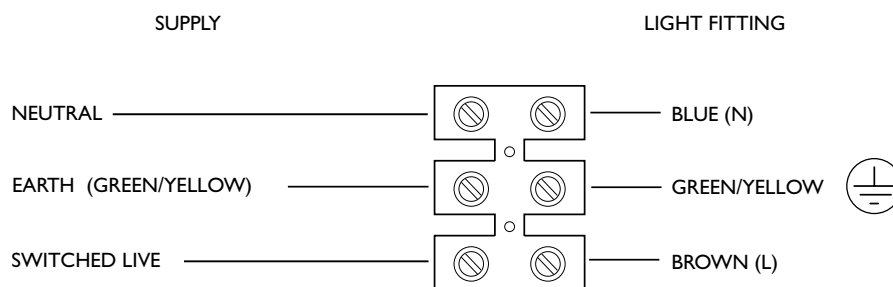
Existing fittings must be completely removed before installation of a new product. Before removing the existing fitting, **carefully note the position of each set of wires.**

1. Remove the grill from the product by pulling gently. Undo the spade connector and set aside. See Figure 1.
2. With an assistant, hold the product in place and mark the position of the holes. See Figure 2.
3. Ensure the ceiling is capable of holding the weight of the product. Take care to avoid damaging any concealed wiring and pipes. The correct fixings should be used for brick, cavity walls or plasterboard.
4. Fix into position. See Figure 3.



## Wiring

Having correctly identified the wiring from your existing light fitting, pull the wire through the hole and connect to the connection block inside the product in the following way:



## Check That

- You have correctly identified the wires.
- The connections are tight.
- No loose strands have been left out of the connection block.

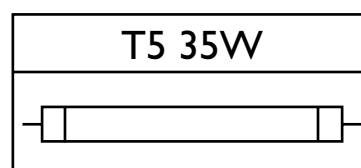
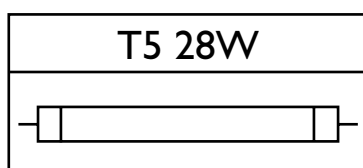
## Commissioning

6. Adjust the cable so it does not get snagged.
7. Refit the spade connector to ensure earth continuity. Refit the grill by locating in the correct position. Squeeze the springs at each end of the grill to assist fitting.
8. Replace fuse or circuit breaker and switch on. Your light is now ready for use.

## Fitting / Replacing Bulbs

When changing a bulb, always switch off at the mains and allow the bulb to cool before handling. Used bulbs should not be disposed of with household waste. Please recycle where facilities exist. Always use the correct type and wattage bulb. Using the incorrect wattage bulb will damage the bulb and ballast.

- I3756 : 2 x 28W T5
- I3757 : 2 x 35W T5



## Care and Cleaning

---

We recommend cleaning with a soft dry cloth.

Do not use solvents or abrasive cleaners as these could damage the finish.

## Recycling Advice

---



Waste electrical products should not be disposed of with household waste. Please recycle where facilities exist. Check with your Local Authority or retailer for recycling advice.

## Safety Information

---

**Live Voltages may be present in this unit even when turned off or when completely disconnected.**

For your safety, always switch off the supply before changing lightbulbs, or cleaning.



Saxby Lighting Ltd. BH23 3PE