

saxby

lighting



Alaska Recessed

13721 - 13724

13731 - 13732

Thank you for purchasing this light fitting.
Please read the instructions carefully before use to ensure safe and satisfactory operation of this product.
Please retain these instructions for future reference.

Warning

This is a Class I product and must be earthed.

Please read these instructions carefully before commencing any work.
This unit must be fitted by a competent and qualified electrician.
Install in accordance with IEE Wiring regulations and current Building Regulations.
To prevent electrocution switch off at mains supply before installing or maintaining this fitting. Ensure other persons cannot restore the electrical supply without your knowledge.
This light fitting should be connected to a fused circuit.
If replacing an existing fitting, make a careful note of the connections.
Always use the correct type and wattage bulb. Using the incorrect wattage bulb will damage the bulb and ballast.
When changing a bulb, always switch off at the mains and allow the old bulb to cool down before handling.
Dispose of used bulbs carefully and responsibly.
This product is not suitable for dimming.
Waste electrical products should not be disposed of with household waste. Please recycle where facilities exist.
Check with your local authority or retailer for recycling advice.
These products should not be fitted to PIR circuits or short duration timed switches. Should you wish to connect this unit to a timed system please consult the manufacturer before installation.

Specification

Voltage:	240V 50Hz a.c.
Lamp:	See Fitting and Replacing Bulbs Section.
IP rating:	All items IP 20 except
	13726 : IP44
	13754 : IP44

Layout

- Plan the desired layout of this fitting carefully, ensuring the cables will reach the distance between the junction box and the light fitting(s).
- Avoid locating any cables in positions that would cause a hazard. Position cables and junction boxes (not supplied) away from areas where they may be at risk from being cut, trapped or damaged.
- The mains supply cable must have a minimum cross sectional area of 1.0mm²

Installation

Existing fittings must be completely removed before installation of a new product. Before removing the existing fitting, **carefully note the position of each set of wires.**

1. Ensure that the ceiling material can support the weight of the product. Ensure that there is adequate ventilation for the luminare and ballast. Units to be placed at least 1m apart.
2. Cut the fixing hole based on the dimensions below:

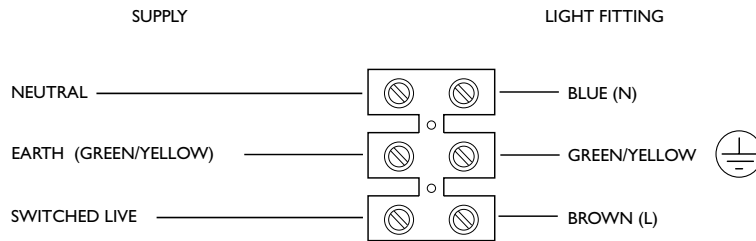
Fixing Sizes:

13721 - 13724 :	225mm diameter cutout	:	160mm ceiling void (minimum)
13731 - 13732 :	225mm diameter cutout	:	160mm ceiling void (minimum)

3. Remove the supplier reflector and set aside. If fitting the sunflower reflector (13728) then follow the instructions in 12. and fit the new rear reflector first.
4. Pull the supply wire through the hole and wire as detailed below.

Wiring

Having correctly identified the wiring from your existing light fitting, pull the wire through the hole and connect to the connection block inside the product in the following way:

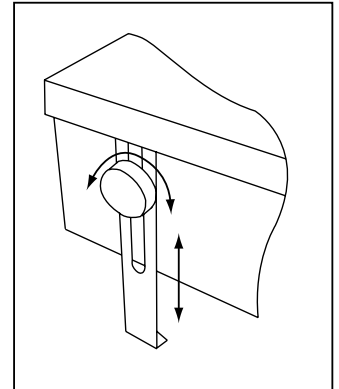


Check That

- You have correctly identified the wires.
- The connections are tight.
- No loose strands have been left out of the connection block.

Fitting

5. The rear support is adjusted by turning the plastic knob anti-clockwise. Move the metal support to the correct location, and tighten the knob to secure in place. This may need to be done before the unit is fitted, if access is not possible after.
6. Adjust the cable so it does not get snagged, and push the unit up into the hole.
7. Ensure that the unit is sitting flat on the surface of the ceiling, and turn the two screws clockwise to lower the clamps into position. Ensure that the grip is even.
8. Replace fuse or circuit breaker and switch on. Your light is now ready for use.

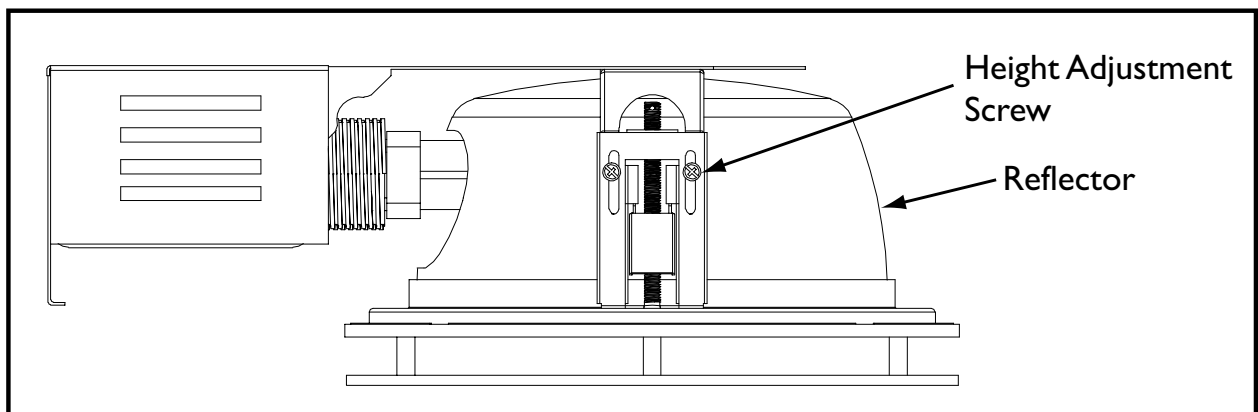
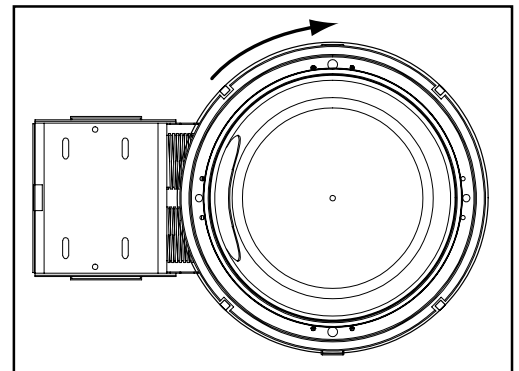


Accessory Fitting

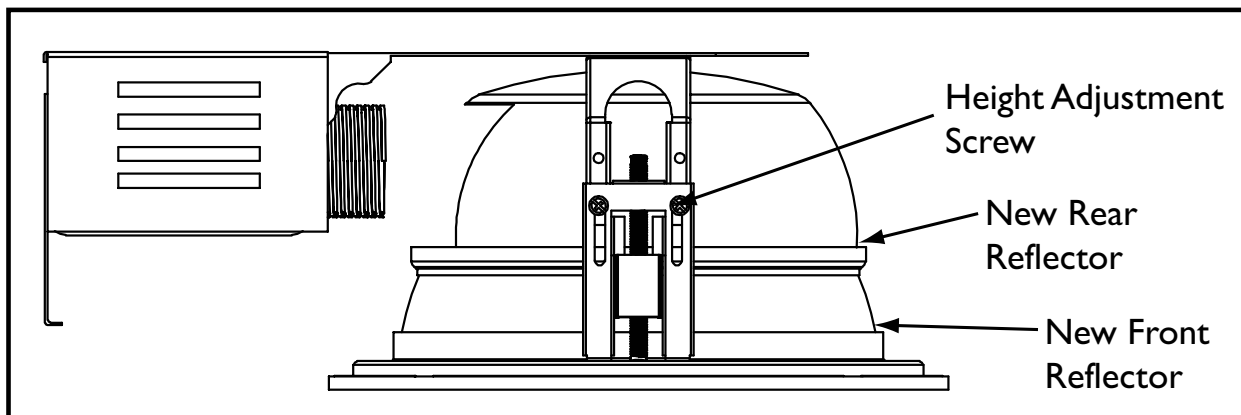
9. This unit has a variety of different front rings that can be fitted:

- 13725 : Alaska Open Ring
- 13726 : Alaska IP44 Ring Clear
- 13727 : Alaska Drop Glass Ring
- 13728 : Alaska Cross Blade Louvre
- 13754 : Alaska IP44 Ring Opal

10. For 13725 locate the four tabs on the bezel in the four slots on the rim. Turn 10 degrees clockwise to engage. Refit and secure the reflector in place.
11. For 13726 and 13754, fit and secure the reflector in place first. Locate the four tabs on the bezel in the four slots on the rim. Turn 10 degrees clockwise to engage.
11. To fit the drop glass accessory, remove the supplied reflector and set aside. Loosen the height adjustment four screws each side of the front clamp. Fit the drop glass ring to the main body, and refit the reflector. Adjust the height of the ring to the correct position and tighten the height adjustment screws. Remove the reflector and drop glass ring. Fit the product in the ceiling as described above. Refit the drop glass ring and reflector. Undo the three thumb screws and fit the drop glass.



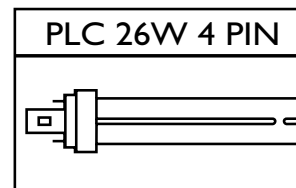
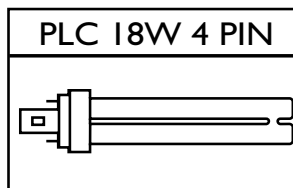
11. To fit the sunflower accessory, remove the supplied reflector and discard. Loosen the height adjustment four screws each side of the front clamp. Fit the new rear reflector to the main body. Fit the bezel in position, and then fit the new front reflector into position and move the black rim to the correct new position. Tighten the height adjustment screws. Fit the product in the ceiling as described above. Locate the four tabs on the bezel in the four slots on the rim. Refit the front reflector.



Fitting / Replacing Bulbs

When changing a bulb, always switch off at the mains and allow the bulb to cool before handling. Used bulbs should not be disposed of with household waste. Please recycle where facilities exist. Always use the correct type and wattage bulb. Using the incorrect wattage bulb will damage the bulb and ballast.

13721	:	26W PLC 2 Pin G24d-3
13722	:	18W PLC 2 Pin G24d-2
13723	:	26W PLC 4 Pin G24q-3
13724	:	18W PLC 4 Pin G24q-2
13731	:	26W PLC 4 Pin G24q-3
13732	:	18W PLC 4 Pin G24q-2



Care and Cleaning

We recommend cleaning with a soft dry cloth.

Do not use solvents or abrasive cleaners as these could damage the finish.

Glass parts - Remove and wash in warm water or just use a damp cloth. Do not use abrasive materials as these will damage the finish.

Recycling Advice



Waste electrical products should not be disposed of with household waste. Please recycle where facilities exist. Check with your Local Authority or retailer for recycling advice.

Safety Information

Live Voltages may be present in the emergency units even when turned off or when completely disconnected.

For your safety, always switch off the supply before changing lightbulbs, or cleaning.

This system contains non-replaceable parts and cannot be serviced. If damage occurs the part should be scrapped.



Saxby Lighting Ltd. NW10 7UL