

Thank you for purchasing this light fitting. Please read the instructions carefully before use to ensure safe and satisfactory operation of this product. Please retain these instructions for future reference.

Warning:

This is a Class I product and must be earthed.

Please read these instructions carefully before commencing any work.

This unit must be fitted by a competent and qualified electrician.

Install in accordance with IEE Wiring regulations and current Building Regulations.

To prevent electrocution switch off at mains supply before installing or maintaining this fitting. Ensure other persons cannot restore the electrical supply without your knowledge.

This light fitting should be connected to a fused circuit.

If replacing an existing fitting, make a careful note of the connections.

This system contains non-replacable parts and cannot be serviced. If damage occurs the part should be scrapped.

This product is not suitable for dimming.

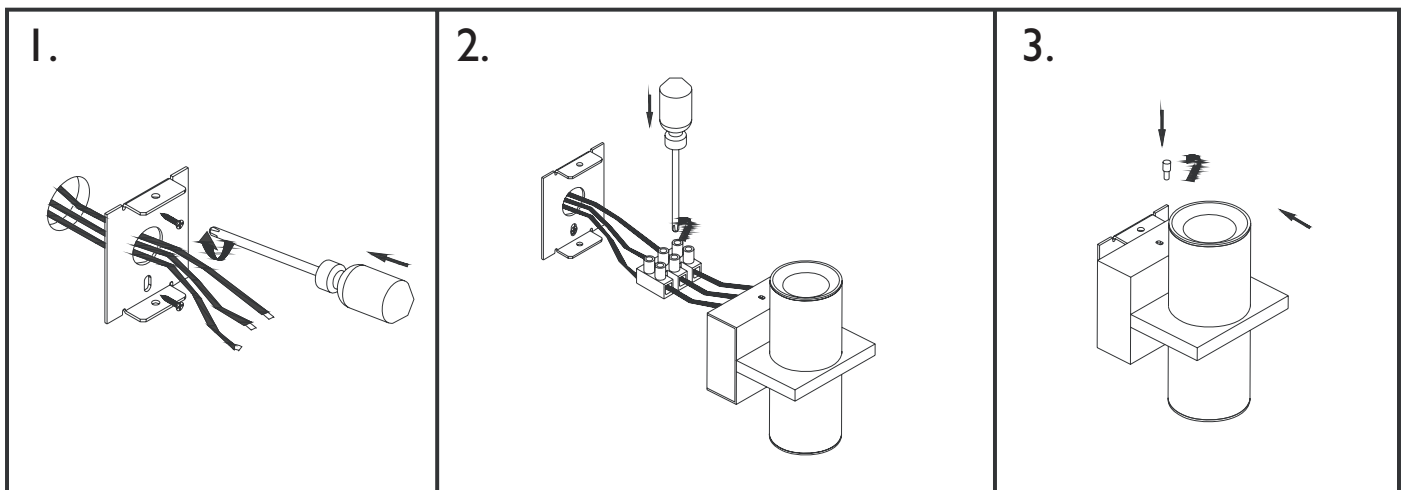
Waste electrical products should not be disposed of with household waste. Please recycle where facilities exist.

Check with your local authority or retailer for recycling advice.

Installation:

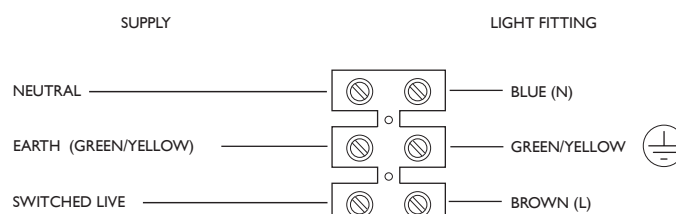
Existing fittings must be completely removed before installation of a new product. Before removing the existing fitting, **carefully note the position of each set of wires.**

1. Undo the two screws on the top and bottom of the unit, and set aside Slide out the wall bracket.
2. Hold the product in place and mark the position of the holes. Ensure that the product is level.
3. Ensure the wall is capable of holding the weight of the product. The correct fixings should be used for brick, cavity walls or plasterboard. Take care to avoid damaging any concealed wiring and pipes.
4. Pull the wire through and fix into position. See diagram 1 below.



Wiring:

Having correctly identified the wiring from your existing light fitting, connect to the terminal block as shown in diagram 2 inside the product in the following way:



Check that.....

You have correctly identified the wires.

The connections are tight.

No loose strands have been left out of the connection block.

When completed, ensure that there are no bare or loose strands of wire exposed, and cover all exposed areas of the connection block with 2 layers of insulation tape.

Slide the unit over the wall bracket and refit the side screws.

Replace fuse or circuit breaker and switch on. Your light is now ready for use.

Care and Cleaning:

This system contains non-replacable parts and cannot be serviced. If damage occurs the part should be scrapped.

Finish - We recommend cleaning with a soft dry cloth. Do not use abrasive materials as these will damage the finish.

Safety Information:

For your safety, always switch off the supply before changing lightbulbs, cleaning or removing shades.



Saxby Lighting Ltd. Belvue House, Belvue Road, Northolt, Middlesex UB5 5QQ