

saxby
lighting



Casio Wall

13654

Thank you for purchasing this light fitting.
Please read the instructions carefully before use to ensure safe and satisfactory operation of this product.
Please retain these instructions for future reference.

Warning

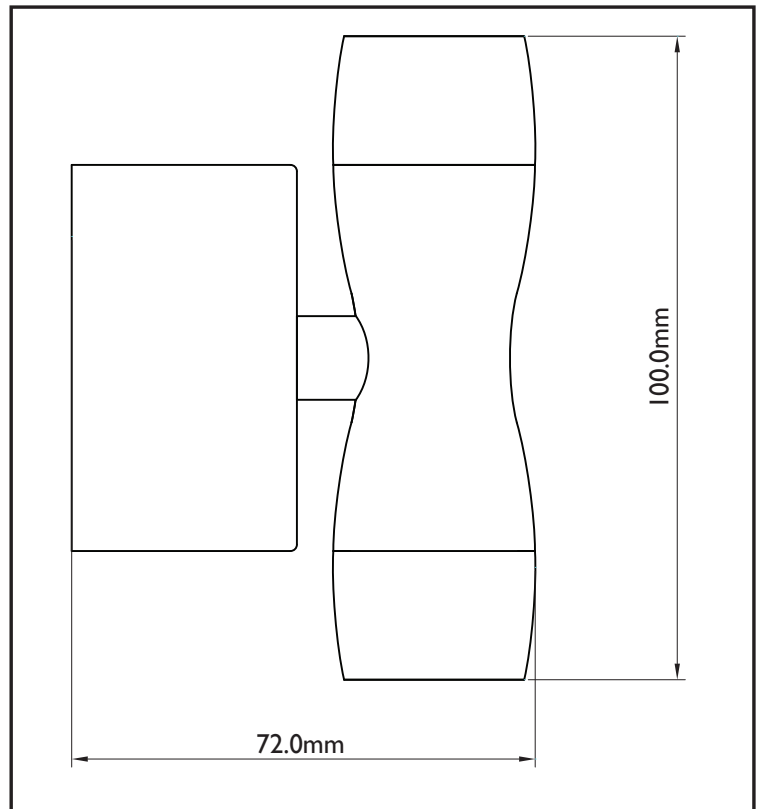


This light fitting is Double Insulated and does not require connection to an Earth circuit.

Please read these instructions carefully before commencing any work.
This unit must be fitted by a competent and qualified electrician.
Install in accordance with IEE Wiring regulations and current Building Regulations.
To prevent electrocution switch off at mains supply before installing or maintaining this fitting. Ensure other persons cannot restore the electrical supply without your knowledge.
This light fitting should be connected to a fused circuit.
If replacing an existing fitting, make a careful note of the connections.
This system contains non-replaceable parts and cannot be serviced. If damage occurs the part should be scrapped.
This product is not suitable for dimming.
Waste electrical products should not be disposed of with household waste. Please recycle where facilities exist.
Check with your local authority or retailer for recycling advice.

Specification

Voltage:	240V 50Hz a.c.
Lamp:	2 x 1W High Power LED
IP rating:	20



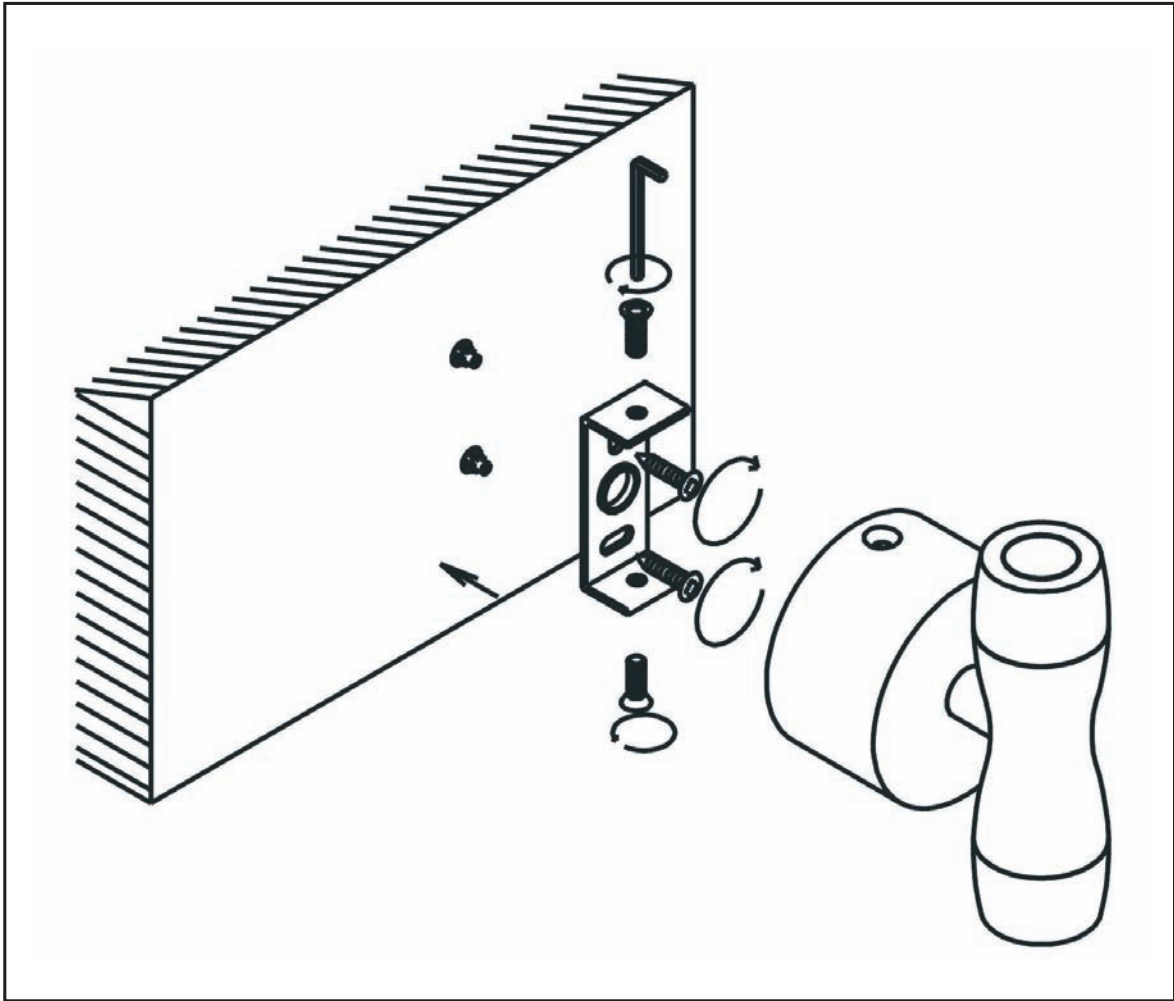
Layout

- Plan the desired layout of this fitting carefully, ensuring the cables will reach the distance between any junction boxes and the light fitting.
- Avoid locating any cables in positions that would cause a hazard. Position cables away from areas where they may be at risk from being cut, trapped or damaged.
- The mains supply cable must have a minimum cross sectional area of 1.0mm²
- Cables in walls must be protected using suitable conduit or plastic trunking.

Installation

Existing fittings must be completely removed before installation of a new product.

1. Undo the two side screws and remove the fixing bracket.
2. Mark the position of the holes, ensuring that the mounting plate is vertical.
3. Attach to the wall using the screws provided. The appropriate fixings should be obtained for masonry walls, cavity walls or plasterboard. Take care to avoid damaging any concealed wiring and pipes.

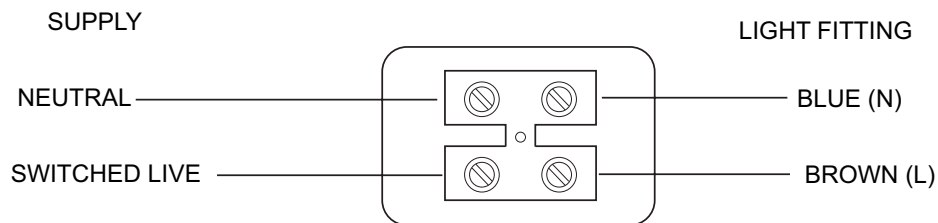


Wiring

Having correctly identified the wiring from your existing light fitting, pull the wire through the grommet at the rear of the fixture making sure that the seal is still present. Connect to the connection block inside the product in the following way:

1. Remove the cover from the terminal block.
2. Connect the incoming live and neutral cable to the terminals. Live supply to the terminal marked L, (brown wire) and neutral supply to the terminal marked N (blue wire) (See Below). Ensure connections are tight.

This unit is double insulated and must not be earthed. If there are any incoming earth cables, they must be joined together and well insulated with good quality insulation tape. This is to ensure earth continuity throughout your property.



Check That

Check that.....

You have correctly identified the wires.

The connections are tight.

No loose strands have been left out of the connection block.

Commissioning

6. Adjust the cable so it does not get snagged. Fit the product back onto the wall back and tighten the screws.
7. Fit the product back onto the wall back, and tighten the screws.
8. Replace fuse or circuit breaker and switch on. Your light is now ready for use.

Care and Cleaning

We recommend cleaning with a soft dry cloth.

Do not use solvents or abrasive cleaners as these could damage the finish.

Recycling Advice



Waste electrical products should not be disposed of with household waste. Please recycle where facilities exist. Check with your Local Authority or retailer for recycling advice.

Safety Information

For your safety, always switch off the supply before cleaning.



Saxby Lighting Ltd. BH23 3PE