

Thank you for purchasing this light fitting. Please read the instructions carefully before use to ensure safe and satisfactory operation of this product. Please retain these instructions for future reference.

Warning:

This is a Class I product and must be earthed.

Please read these instructions carefully before commencing any work.

Install in accordance with IEE Wiring regulations and current Building Regulations.

To prevent electrocution switch off at mains supply before installing or maintaining this fitting. Ensure other persons cannot restore the electrical supply without your knowledge. If you are in any doubt, please consult a qualified electrician.

This light fitting should be connected to a fused circuit.

Ensure correct metal halide gear is used to match required lamp wattage.

Always ensure that you always use the correct wattage lamp to match the control gear. Use of incorrect lamp will damage the lamp and the control gear. Do not operate with a failed lamp or without a lamp as this may damage the unit.

When changing a lamp, always switch off at the mains and allow the old lamp to cool down before handling.

As with all metal halide fixtures, the unit must be allowed to cool down after switching off before the lamp is able to re-ignite

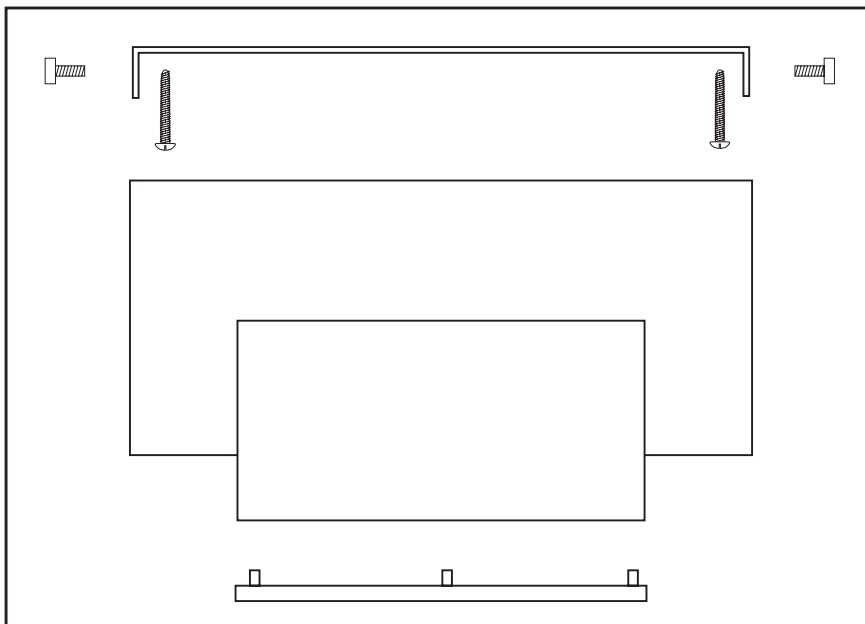
Dispose of used bulbs carefully and responsibly.

This product is not suitable for dimming.

Installation:

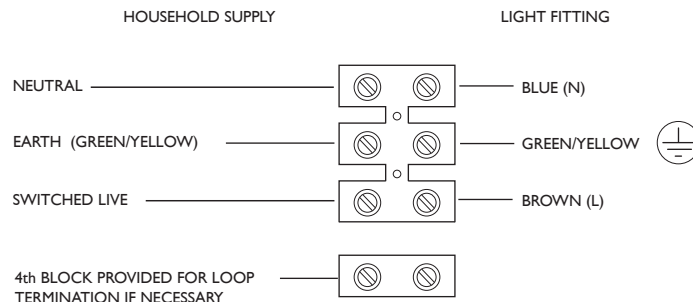
Existing fittings must be completely removed before installation of a new product. Before removing the existing fitting, **carefully note the position of each set of wires.** Where a ring/loop circuit exists there will be a fourth set of wires (usually red) that are not connected to the L, N, or E. of the fitting. This circuit must be kept together in a separate terminal block, and insulated from the fitting and the other wires. **The ring/loop will remain live unless isolated at the mains or circuit breaker regardless of the position of the wall switch.**

1. Undo the two side screws and set aside. Remove the fixing plate.
2. Twist off the front diffuser and set aside.
3. The plate fixes to the ceiling using four screws. Hold the plate in place and mark the position of the holes.
4. Ensure there is a joist at the point of fixing to support the weight of the product. Take care to avoid damaging any concealed wiring and pipes.



Wiring:

Having correctly identified the wiring from your existing light fitting, pull the wire through the hole and connect to the connection block inside the product in the following way:



Check that.....

You have correctly identified the wires.

The connections are tight.

No loose strands have been left out of the connection block.

Replace fuse or circuit breaker and switch on. Your light is now ready for use.

Fitting / Replacing Bulbs:

Remove the diffuser and cover before changing the bulb.

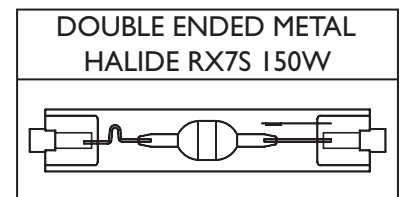
I3587 : 150W RX7s HQITS Metal Halide

When changing a bulb, always switch off at the mains and allow the bulb to cool before handling. Dispose of used bulbs carefully. Use a soft cloth to handle bulbs, avoid directly touching the bulbs as this will shorten their life.

Always ensure that you always use the correct wattage lamp to match the control gear. Use of incorrect lamp will damage the lamp and the control gear.

The lamp must be fitted in accordance with the lamp manufactures instructions.

Failed lamps must be replaced immediately otherwise damaged may occur to the gear and ignitor.



Care and Cleaning:

Finish - We recommend cleaning with a soft dry cloth. Do not use abrasive materials as these will damage the finish.

Glass parts - Remove and wash in warm water or just use a damp cloth. Do not use abrasive materials as these will damage the finish.

Safety Information:

For your safety, always switch off the supply before changing lightbulbs, cleaning or removing shades.



Saxby Lighting Ltd. Belvue House, Belvue Road, Northolt, Middlesex UB5 5QQ