

Thank you for purchasing this light fitting. Please read the instructions carefully before use to ensure safe and satisfactory operation of this product. Please retain these instructions for future reference.

Warning:

This is a Class I product and must be earthed.

Please read these instructions carefully before commencing any work.

Install in accordance with IEE Wiring regulations and current Building Regulations.

To prevent electrocution switch off at mains supply before installing or maintaining this fitting. Ensure other persons cannot restore the electrical supply without your knowledge. If you are in any doubt, please consult a qualified electrician.

This light fitting should be connected to a fused circuit.

Ensure correct metal halide gear is used to match required lamp wattage.

Always ensure that you always use the correct wattage lamp to match the control gear. Use of incorrect lamp will damage the lamp and the control gear. Do not operate with a failed lamp or without a lamp as this may damage the unit.

When changing a lamp, always switch off at the mains and allow the old lamp to cool down before handling.

As with all metal halide fixtures, the unit must be allowed to cool down after switching off before the lamp is able to re-ignite

Dispose of used bulbs carefully and responsibly.

This product is not suitable for dimming.

Installation:

These products require a minimum ceiling thickness of 25mm. Ensure that the ceiling can support the weight of the product.

Plan the desired layout of this fitting carefully, ensuring the cables will reach the distance between the gear and supply.

Ensure that there is adequate ventilation for the product and the metal halide gear. The gear should be a minimum of 300mm away from the unit.

1. Remove any previous fittings.
2. Cut holes sizes based on the table below depending upon the housing being fitted. Ensure that these are neat and accurate.

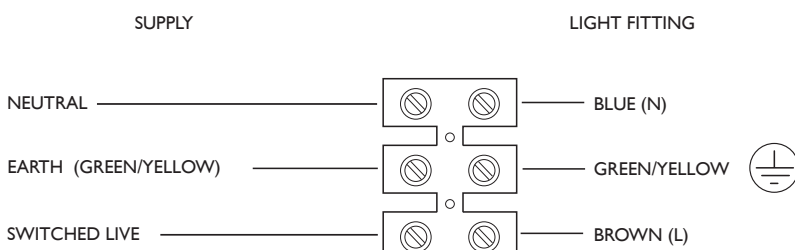
Holes Sizes:

I3560 : Single Housing	:	175mm x 165mm cutout	:	220mm ceiling void
I3561 : Twin Housing	:	175mm x 335mm cutout	:	220mm ceiling void
I3562 : Triple Housing	:	175mm x 505mm cutout	:	220mm ceiling void
I3563 : Quad Housing	:	340mm x 340mm cutout	:	220mm ceiling void

3. Refer to the metal halide gear instructions for detail on how to wire the gear to the product.

Wiring:

Having correctly identified the wiring from your existing light fitting, connect the mains to the connection block in the following way:



Check that.....

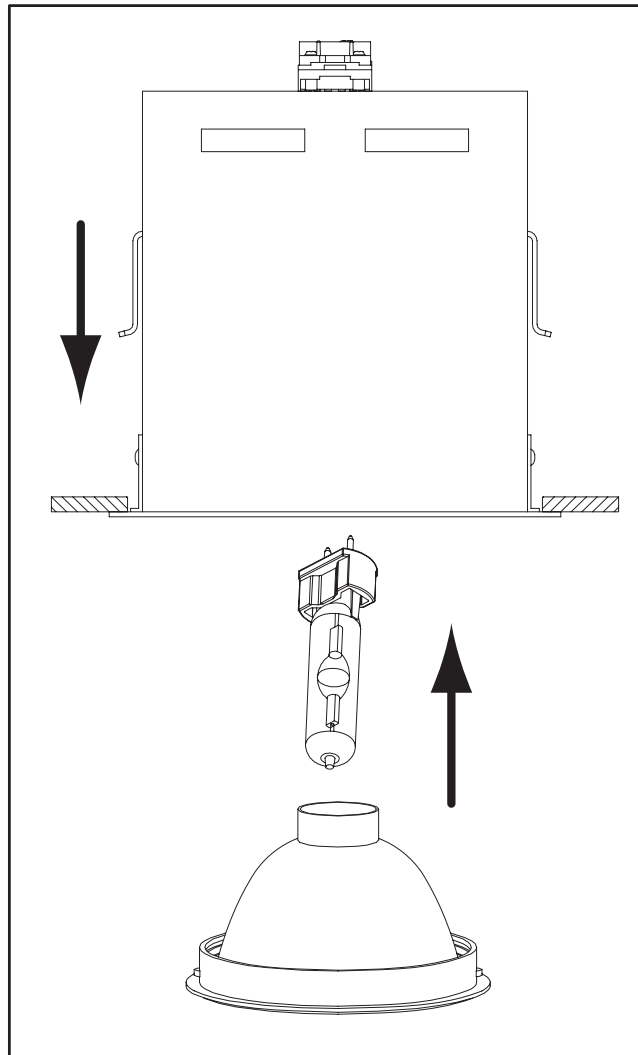
You have correctly identified the wires.

The connections are tight.

No loose strands have been left out of the connection block.

Fitting Luminaire:

1. Lift the luminaire into position.
2. Push the luminaire into position, and locating the levers, Slide down until they are are firmly in place
4. Connect the gear to the mains supply. Replace fuse and switch on.



5. Replace fuse or circuit breaker and switch on. Your light is now ready for use.

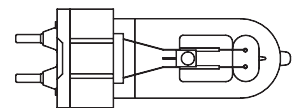
Fitting / Replacing Bulbs:

Remove the reflector before changing the bulb.

When changing a bulb, always switch off at the mains and allow the bulb to cool before handling. Dispose of used bulbs carefully. Use a soft cloth to handle bulbs, avoid directly touching the bulbs as this will shorten their life.

Always ensure that you always use the correct wattage lamp to match the control gear. Use of incorrect lamp will damage the lamp and the control gear. The lamp must be fitted in accordance with the lamp manufactures instructions. Failed lamps must be replaced immediately otherwise damaged may occur to the gear and ignitor.

**150W MAX G12
Metal Halide Bulb**



Care and Cleaning:

Finish - We recommend cleaning with a soft dry cloth. Do not use abrasive materials as these will damage the finish.

Safety Information:

For your safety, always switch off the supply before changing bulbs or cleaning.



Saxby Lighting Ltd. Belvue House, Belvue Road, Northolt, Middlesex UB5 5QQ