

Thank you for purchasing this light fitting. Please read the instructions carefully before use to ensure safe and satisfactory operation of this product. Please retain these instructions for future reference.

Warning:

This is a Class I product and must be earthed.

Please read these instructions carefully before commencing any work.

This fitting must be fitted to a suitable track that has been properly installed.

Install in accordance with IEE Wiring regulations and current Building Regulations.

To prevent electrocution switch off at mains supply before installing or maintaining this fitting. Ensure other persons cannot restore the electrical supply without your knowledge. If you are in any doubt, please consult a qualified electrician.

This light fitting should be connected to a fused circuit.

Only use the correct wattage bulb stated.

Do not operate with a failed bulb or without a bulb as this may damage the unit.

When changing a bulb, always switch off at the mains and allow the old bulb to cool down before handling.

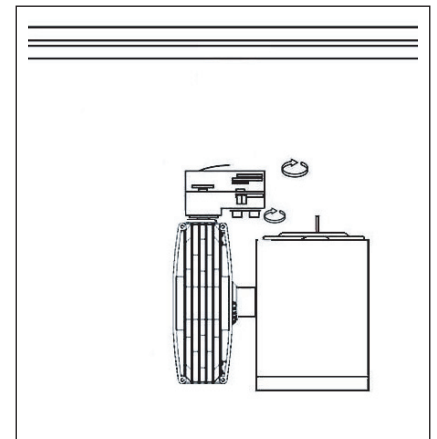
Dispose of used bulbs carefully and responsibly.

This product is not suitable for dimming.

Installation:

Ensure that the track is disconnected from the mains supply.

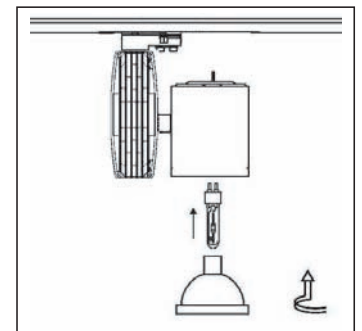
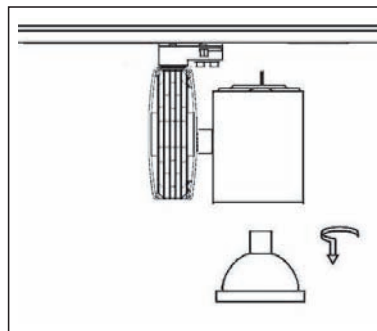
1. Lift the luminaire into place and rotate the clips to lock into position.
2. Rotate the 'N' terminal into place. Ensure that it has engaged correctly with the track.
3. Select either 'L1', 'L2' or 'L3' and rotate the terminal into place. Ensure that it has engaged correctly with the track.
4. Replace fuse or circuit breaker and switch on. Your light is now ready for use.



Fitting / Replacing Bulbs:

When changing a bulb, always switch off at the mains and allow the bulb to cool before handling. Dispose of used bulbs carefully. Use a soft cloth to handle bulbs, avoid directly touching the bulbs as this will shorten their life.

Undo the reflector, and remove. Fit the bulb by locating the pins correctly and refit the reflector. Only use the correct wattage stated. Do not use a different shape bulb from that indicated on the fitting.



Care and Cleaning:

Finish - We recommend cleaning with a soft dry cloth. Do not use abrasive materials as these will damage the finish.

Safety Information:

For your safety, always switch off the supply before changing lightbulbs, cleaning or removing shades.

