

Thank you for purchasing this light fitting. Please read the instructions carefully before use to ensure safe and satisfactory operation of this product. Please retain these instructions for future reference.

Warning:

This is a Class I product and must be earthed.

Please read these instructions carefully before commencing any work.

Install in accordance with IEE Wiring regulations and current Building Regulations.

To prevent electrocution switch off at mains supply before installing or maintaining this fitting. Ensure other persons cannot restore the electrical supply without your knowledge. If you are in any doubt, please consult a qualified electrician.

This light fitting should be connected to a fused circuit.

If replacing an existing fitting, make a careful note of the connections.

Always use the correct type and wattage bulb. Never exceed the wattage stated as this could overheat the ballast.

When changing a bulb, always switch off at the mains and allow the old bulb to cool down before handling.

Dispose of used bulbs carefully and responsibly.

This product contains a ballast and is not suitable for dimming.

Installation:

This fitting is suitable for suspension only, and is supplied with the appropriate kit. Please refer to the instructions supplied with that for details on how to fit.

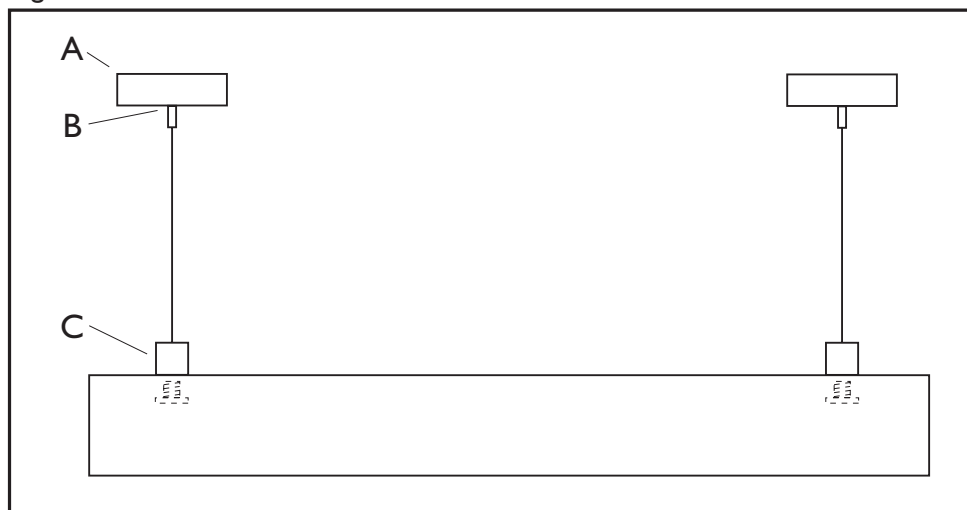
Existing fittings must be completely removed before installation of a new product. Before removing the existing fitting, **carefully note the position of each set of wires.**

Ensure that the mounting surface can support the weight of the product.

Hold the light in place, and mark the hole positions. Fix into place using the appropriate screws and fixings. Other suitable fixings should be obtained for masonry walls, cavity walls or plasterboard. Take care to avoid damaging any concealed wiring and pipes.

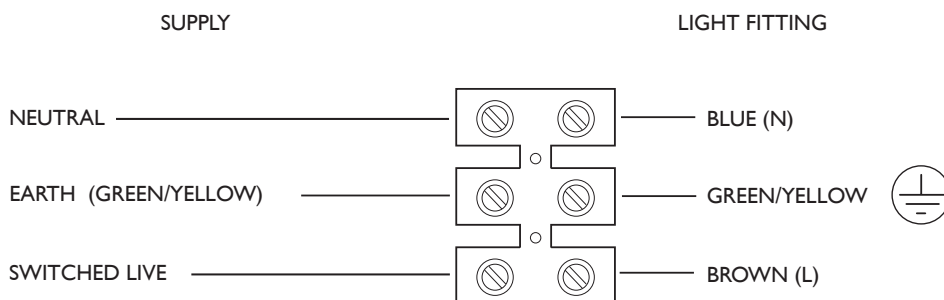
Installation:

1. The suspension mounting holes are 1491mm apart.
2. Remove the diffuser from the luminaire. Undo the screws holding the rear reflector in place and set aside.
2. Remove the brackets from the ceiling covers, marked 'A' in the diagram. Measure out the correct spacing for the fixing on the ceiling, based on the measurement on the unit.
3. Screw the brackets to the ceiling using appropriate screws and fixings
4. Refix the ceiling covers to the brackets.
5. Remove the screws from the bottom boss marked 'C' in the diagram. Lift the unit into place, and feed the screws through the holes in the luminaire and fix onto the the boss.



Wiring:

Having correctly identified the wiring from your existing light fitting, pull the wire through the hole at the rear of the fixture connect to the connection block inside the product in the following way:



Check that.....

You have correctly identified the wires.

The connections are tight.

No loose strands have been left out of the connection block.

Fitting / Replacing Bulbs:

Remove the diffuser. Twist the bulb 90 degrees and remove from slots. Refit by locating the pins in the lampholder slots, and twisting 90 degrees to engage the pins with the contacts. Refit the diffuser.

When changing a bulb, always switch off at the mains and allow the bulb to cool before handling. Dispose of used bulbs carefully. Use a soft cloth to handle bulbs, avoid directly touching the bulbs as this will shorten their life.

Do not exceed the wattage stated or use a different shape bulb from that indicated on the fitting.

Ensure the unit sits level by adjusting the wire length. This is achieved by undoing the ferrule on 'B' a few turns and pushing the suspension wire up. To lower the wire, push the ferrule up and pull the wire down through the ferrule.

Replace fuse or circuit breaker and switch on. Your light is now ready for use.

Care and Cleaning:

Finish - We recommend cleaning with a soft dry cloth. Do not use abrasive materials as these will damage the finish.

Safety Information:

For your safety, always switch off the supply before changing lightbulbs, cleaning or removing shades.



Saxby Lighting Ltd. Belvue House, Belvue Road, Northolt, Middlesex UB5 5QQ