

**saxby**  
lighting



**Luxway LED Exit Emergency**

**10550**

**10551**

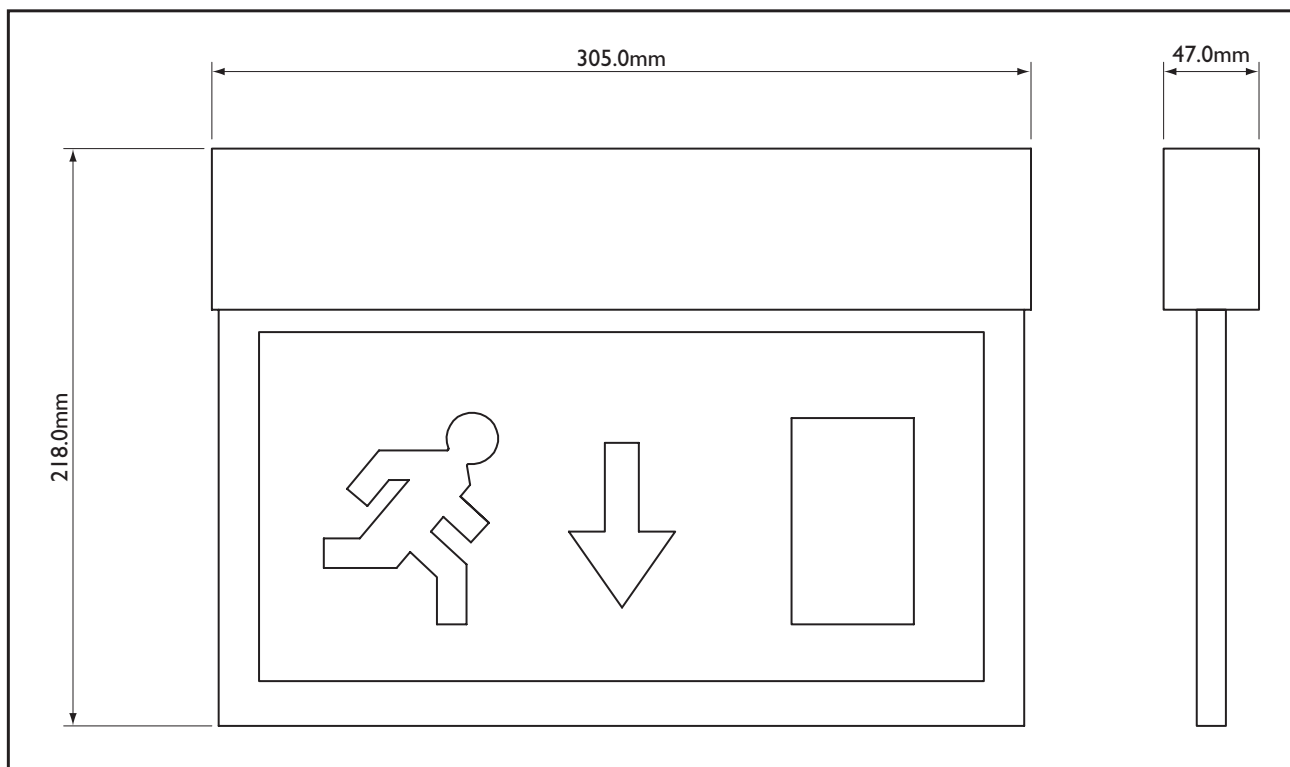
Thank you for purchasing this light fitting.  
Please read the instructions carefully before use to ensure safe and satisfactory operation of this product.  
Please retain these instructions for future reference.

## Warning

**This is a Class I product and must be earthed.**  
**Live Voltages may be present in this unit even when turned off or when completely disconnected.**  
Please read these instructions carefully before commencing any work.  
This unit must be fitted by a competent and qualified electrician.  
Install in accordance with IEE Wiring regulations and current Building Regulations.  
To prevent electrocution switch off at mains supply before installing or maintaining this fitting. Ensure other persons cannot restore the electrical supply without your knowledge.  
This light fitting should be connected to a fused circuit.  
If replacing an existing fitting, make a careful note of the connections.  
This system contains non-replaceable parts and cannot be serviced. If damage occurs the part should be scrapped.  
This product is not suitable for dimming.  
Waste electrical products should not be disposed of with household waste. Please recycle where facilities exist.  
Check with your local authority or retailer for recycling advice.  
These products should not be fitted to PIR circuits or short duration timed switches.

## Specification

Operating Temperature	:	10°C to 50°C
Maximum Operating Humidity	:	90%
Voltage	:	220-240V 50-60Hz
Power	:	4W
Change over Time	:	Approximately 1s
Lighting Time without Interruption	:	3 hours
Battery Specification	:	4.8V 800mAh LiCd
Battery Charge Time	:	24 hours



## Accessories

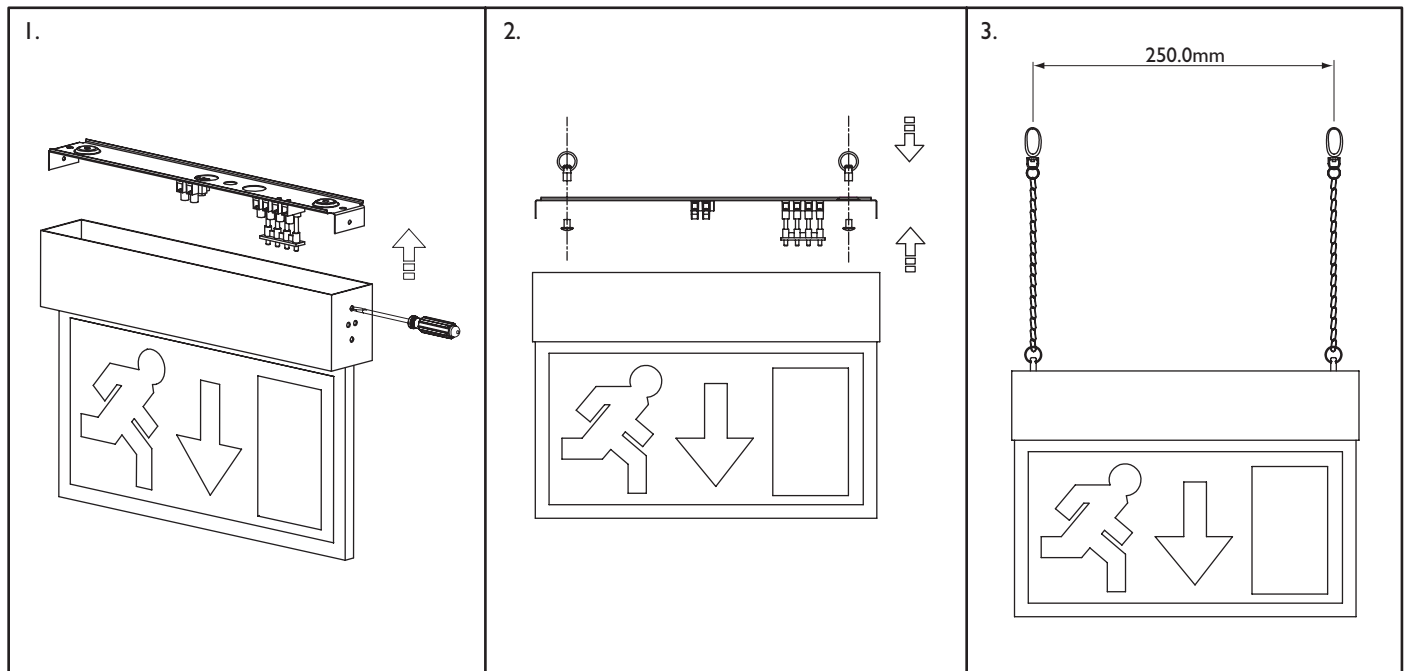
Various accessories are available for this product:

LEDLEGA	:	Luxway Legend Arrow Left
LEDLEGC	:	Luxway Legend Arrow Right
LEDLEGG	:	Luxway Legend 'Exit'
LEDLUXSUS	:	Luxway Suspension Kit (450mm)

## Installation

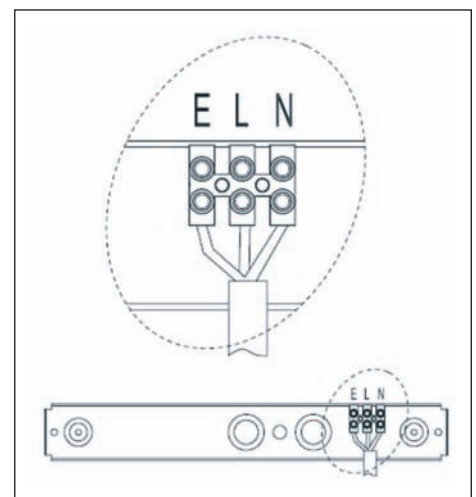
Existing fittings must be completely removed before installation of a new product. Before removing the existing fitting, **carefully note the position of each set of wires.**

1. Undo the two screws on each side of the unit near the top. Slide out the ceiling bracket. See Figure 1.
2. Ensure the ceiling is capable of holding the weight of the product. Take care to avoid damaging any concealed wiring and pipes. The correct fixings should be used for brick, cavity walls or plasterboard.
3. If using the suspension kit, LEDLUXSUS, fit the screws and eyes as shown in Figure 2.
4. Fit the suspension chains with the spacing as shown. See Figure 3.
5. Alternatively, fit the bracket to the ceiling and check that it is secure.



## Wiring

Having correctly identified the wiring from your existing light fitting, pull the wire through the hole and connect to the connection block inside the product in the following way:



## Check That

- You have correctly identified the wires.
- The connections are tight.
- No loose strands have been left out of the connection block.

## Commisioning

---

4. Lift the unit up into place and fit over the ceiling bracket. Re-fit the screws.
5. Replace fuse or circuit breaker and switch on. Your light is now ready for use.

## Operating Instructions

---

1. Connect the unit to the mains (220-240V a.c.). Verify that the LED is red; this confirms that the batteries are charging.
2. Charge the battery for at least 18 hours before first use.
3. When the unit is installed a green LED indicates that mains power is present and a yellow LED indicates a fault.
4. The unit is always lit. Upon the power failing the unit will remain lit.. Please note that the unit does not have an off function.
5. The battery should be re-charged and checked every three months.
6. The battery should be discharged and the duration of the LED's checked every six months. When the duration is 50% the battery must be replaced.

## Battery Replacement

---

If after routine operation check, the lamp does not remain lit for the three hour period, a new battery pack may be required.

1. Switch off the electricity at the mains.
2. Allow batteries to fully discharge then reconnect to supply and allow to charge for 24 hours.
3. Test again for 3 hours, if light does not remain lit change the battery pack as follows:
4. Undo the two screws on end of the diffuser and lift off. Undo the two screws holding the gear tray in place and set aside.
5. Unplug the battery lead from the circuit board. Cut the cable ties and pull the battery pack away from the gear tray.
6. Write current date on the new battery pack.
7. Fit new battery pack using self adhesive pads or similar. Refit the cable ties in position and then plug battery pack into circuit board.
8. Close and secure gear tray and replace diffuser.
9. Restore power and allow to charge for 24 hours.
10. Perform full operation check and update test record.

## Care and Cleaning

---

We recommend cleaning with a soft dry cloth.

Do not use solvents or abrasive cleaners as these could damage the finish.

## Recycling Advice

---



Waste electrical products should not be disposed of with household waste. Please recycle where facilities exist. Check with your Local Authority or retailer for recycling advice.

## Safety Information

---

**Live Voltages may be present in this unit even when turned off or when completely disconnected.**

For your safety, always switch off the supply before changing lightbulbs, or cleaning.

This system contains non-replaceable parts and cannot be serviced. If damage occurs the part should be scrapped.



Saxby Lighting Ltd. BH23 3PE